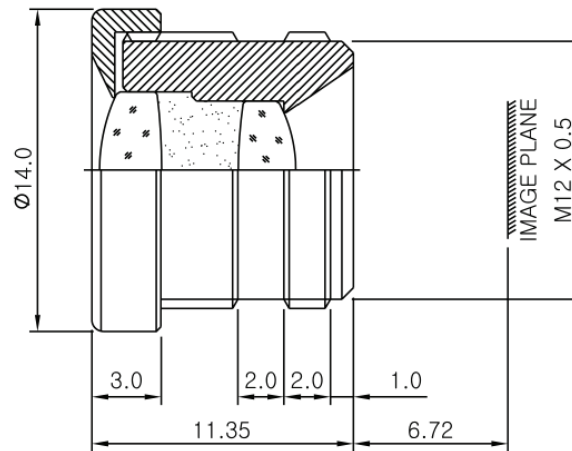


Technical Specifications

Sensing Area		1/3"
Focal Length		12mm
Aperture		F2.2
Back Focal Length		9.2mm
Field of View (D x H x V)		28.0° x 20.1° x 15.2°
Operation	Iris	Fixed
	Focus	Manual
Distortion		0.96%
Minimum Object Distance		40cm
Mount		M-12
Dimensions (Ø x L)		Ø 14mm x 11.35mm
Weight		3.4g



Tolerance : ±0.4mm