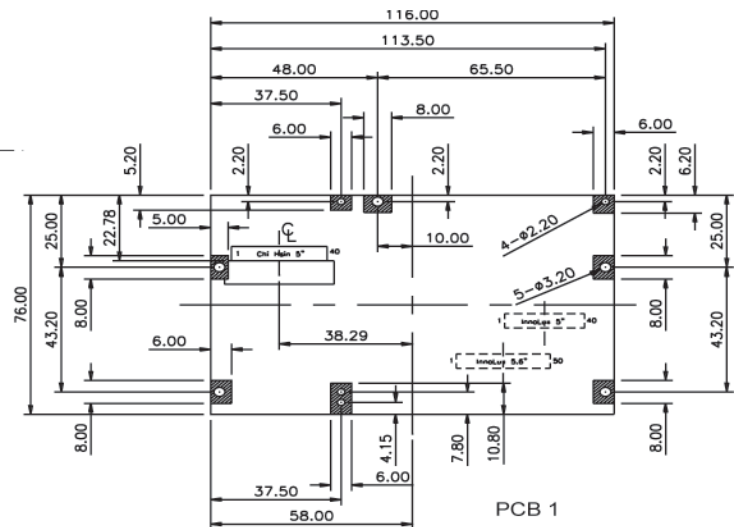
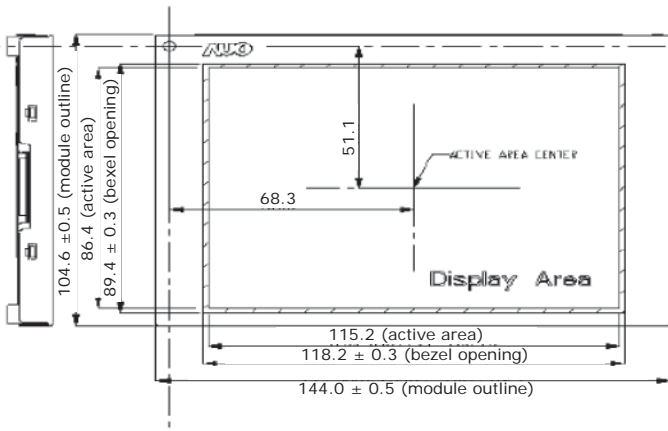


### Product Features

- High Brightness 900cd/m<sup>2</sup> (LED)
- Format 4:3 aspect ratio (640 x 480 pixels)
- NTSC/PAL auto switchable
- LED Backlight
- TFT active matrix



PCB Mechanical Dimension(m/m)



### Technical Specifications

| <b>Electrical</b>   | 45S057  |
|---------------------|---|
| Operating System    | NTSC/ PAL auto switchable   |
| Picture Size        | 5.7" diagonal   |
| Resolution (H x V)  | 640 x 480 pixels, format 4:3 aspect ratio   |
| LCD Type            | TFT active matrix   |
| Color Configuration | 262K  |
| Active Area (W x H) | 115.2mm x 86.4mm  |
| Dot Pitch (W x H)   | 0.18mm x 0.18mm   |
| Brightness          | 900 cd/m <sup>2</sup> (LED)   |
| Contrast Ratio      | 800:1   |
| Response Time       | Tr: 15ms Tf: 10ms   |
| Backlight           | LED   |
| Input Signal        | 1Vp-p composite video at 75 Ohms  |
| Viewing Angle       | Up 70°, Down 70°, Left 80°, Right 80°   |
| Lamp Life-time      | 50,000 hr min.  |
| Connectors          | Video composite (BNC x 1)<br>HDMI (A type x 1)<br>Audio phone jack, (3.3 x 1)<br>PC VGA (D-SUB 15pin x 1) |
| O.S.D. Settings     | YES   |
| Power Source        | 12VDC ±10%  |
| Power Consumption   | 3.6W (max)  |

### Environmental

|                       |                              |
|-----------------------|------------------------------|
| Operating Temperature | 0°C ~ 50°C (32°F ~ 122°F)    |
| Operating Humidity    | Max. 85% RH                  |
| Storage Temperature   | -30°C ~ 85°C (-22°F ~ 185°F) |
| Storage Humidity      | Max. 85% RH                  |

### Mechanical

|                      |   |
|----------------------|---|
| Dimensions W x H x D | 144.0mm x 104.6mm x 12.3mm<br>(5.7" x 4.1" x 0.5")                              |
| Weight               | 150g (5.3oz)  |
| O.S.D. Controls      | Contrast, Brightness, Hue, Saturation, Sharpness, Mirror, Vertical Flip, Volume |

### Accessories

|          |                                 |                       |
|----------|---------------------------------|-----------------------|
| Included | Cables                          | 2 AV-IN<br>1 12VDC-IN |
|          | Keyboard control with LED light |                       |

### Safety Standards

|  |                   |
|--|-------------------|
|  | FCC, CE, UL, RoHS |
|--|-------------------|