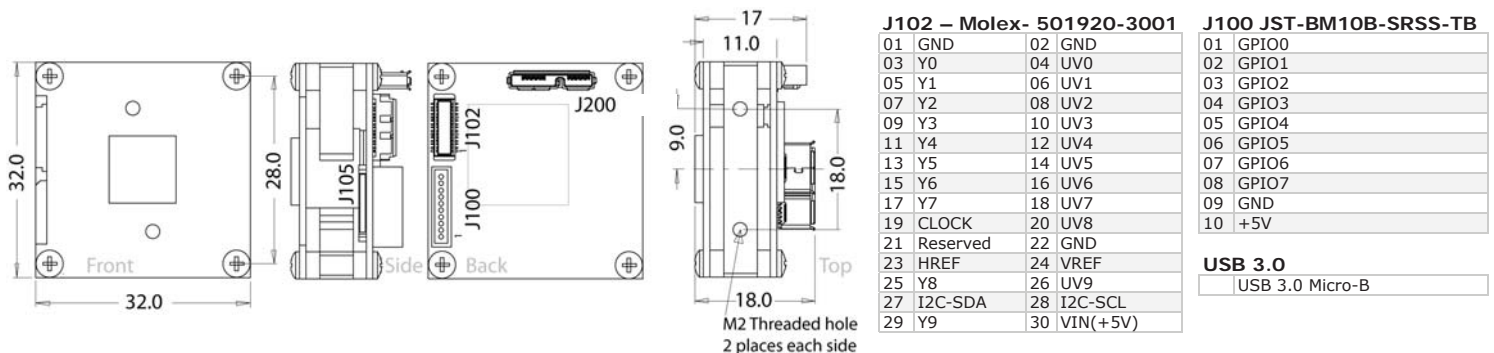


Product Features

- USB3 AND Digital 10 bit parallel (BT1120) outputs concurrently or individually
- Backwards compatible with USB 2.0 ports
- Global Shutter mitigates loss of information or "blur" due to motion in scene
- Binning/Skipping/ Region of Interest
- 1.2MP Square Pixels / Progressive Scan
- Near IR Sensitivity to 1.1 Micron
- Industrial Grade Sensor assures Long Life & Reliability



USB 3.0 Shown with optional lens



Technical Specifications

Electrical		25B1.2XU3	
Image Sensor		CMOS 1/3" 1.2MP	
Recording Pixels		1280 x 960	
Pixel / Image Size		3.75µm	
Scanning System		Progressive	
Shutter Type		Global Shutter, automatic/fixed	
Resolution/ Frame Rate	USB 3.0	1.2MP (1280x960) 720p (1280x720) (1280 x 480) VGA (640x480)	54/50/30/25 fps 71/60/50/30/25 fps 25/30 fps 106/100/60/50/30/25 fps
	USB 2.0	720p (1280 x 720) (1280 x 480) VGA (640x480)	25/30 fps 25/30 fps 25/30 fps
Pixel Clock Rate		74.25MHz	
Sensitivity		< 0.1 Lux	
Signal to Noise Ratio		40.7dB	
Gain		Fixed / auto	
BLC		On / Off weighted regions	
Gamma		Range from 0.45 - 1.00	
Edge Enhancement		On / Off	
Synchronization		Internal	
Mirror/Flip		Horizontal & Vertical On/Off	
Video Output	Digital	Y/out (10-bits @ 74.25MHz)	
	USB 3.0	8 bits	
Supplied Voltage		+4.5 - 5.5V	
Current Drawn		305mA (@5V)	
Power Consumption		1.53W (max 1.75W)	
Communication		I ² C	
Dynamic Range		71.1dB linear	

Environmental

Operating Temperature	-15°C ~ 60°C (5°F ~ 131°F)
Operating Humidity	20% ~ 90%
Storage Temperature	-40°C ~ 80°C (-40°F ~ 176°F)
Storage Humidity	30% ~ 90%
Lifetime MTBF	> 150,000 hrs.
Packaging	ESD safe package

Mechanical

Dimensions (WxHxD) (no lens mount)	32mm x 32mm x 20mm (1.26" x 1.26" x 0.8")		
Weight	40g (1.4oz) (no lens mount)		
Lens Mounts	Replace "X" in model number with desired lens:		
Example: Change 25B1.2XU3 to 25B1.25U3 to select an M-12 board mount.	2 = Metal M-12 Pinhole	5 = Metal M-12 Board	8 = Metal CS Board
Connectors	J100 JST-BM10B-SRSS-TB J102 Molex-501920-3001 USB	GPIO/ Power (10pin) Digital Video Output (30pin) USB 3.0 Micro-B	

I²C Communication Kit

60C6-K	Software control I ² C program kit includes: I ² C board, Program cable, Camera control software
--------	---

Optional Model

25B1.2X-DIG	Single digital video output version Please contact a Videology sales representative for details
-------------	--