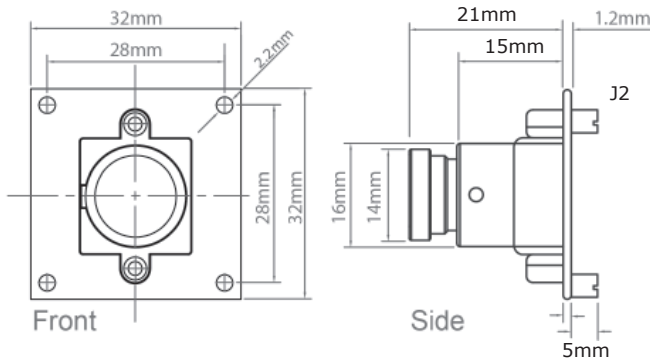


### Product Features

- SONY 1/3.2" 1.3MP STARVIS image sensor
- Resolution: 1280px x 960px (HxV)
- 32mm x 32mm single board
- Wide Dynamic Range (WDR) to 93dB
- Digital Overlap (DOL)
- Ultra Sensitive .001 Lux into NEAR IR
- OSD control optional



24B1.25W Shown with optional lens



#### J2 Connector

01	CVBS Out
02	GND
03	+12V
04	N/A
05	N/A
06	GND
07	OSD AD Key Input
08	N/A
09	N/A
10	N/A
11	N/A
12	N/A

### Technical Specifications

Electrical	24B1.25W
Image Sensor	SONY 1/3.2" 1.3MP STARVIS Sensor
Resolution (HxV)	1280px x 960px (EIA), 1280px x 924px (CCIR)
Pixel Size	3.5µm x 3.5µm
Frame Rate	30fps EIA / 25fps CCIR
Shutter Mode	Rolling Shutter
Signal to Noise Ratio	>50dB (AGC Off)
Shutter Speed	1/60 ~ 1/100,000 sec. (EIA) 1/50 ~ 1/100,000 sec. (CCIR)
Aspect Ratio	4:3
Sensitivity	0.001 Lux (AGC ON)
Scanning System	Interlace
Synchronization	Internal
Video Output	Analog: composite video 1.0Vp-p (sync. negative)
Power Supply	12VDC +/- 10%
Power Consumption	160mA

#### Environmental

Operating Temperature	-20°C ~ 50°C (-4° F ~ 122° F)
Operating Humidity	30% up to 80% RH
Storage Temperature	-20°C ~ 60°C (-4° F ~ 140° F)
Storage Humidity	20% to 90% RH

#### Mechanical

Dimensions W x H x D	32mm x 32mm (1.26" x 1.26")
Lens mounts	Metal M-12 Board
Weight	30g

#### OSD Functions (See OSD manual for more detail)

Lens	Manual, DC
Shutter/ AGC	Auto, Manual
White Balance	ATW, Push, User1, User2, Manual, Push Lock
Backlight	Off, HLC
Picture Adjust	Flip > HV-Flip, Off, H-flip, V-flip, Brightness, Contrast, Sharpness, Hue, Color, Gain
Defog	Off, Auto
WDR/ATR	Off, ATR, WDR
Day/Night	Auto
IR LED	Off, Fixed, Auto
DNR	Mode 3DNR
Privacy Mask	Off, On (16 masks)
Camera ID	Off, On
Language	English, German, French, Russian, Portuguese, Spanish
Camera Reset	Yes