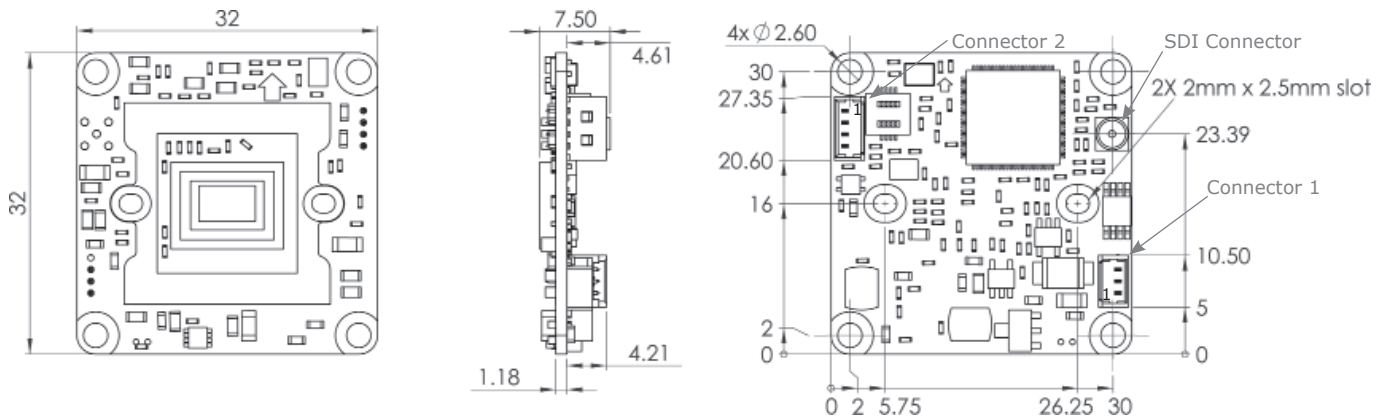
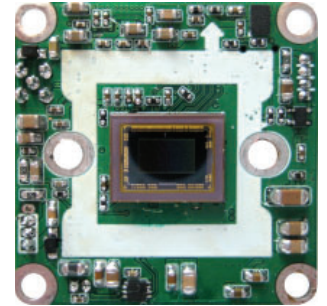


Product Features

- Ultra low light performance with SONY's STARVIS sensor
- Color 0.005 LUX, B/W 0.0001 LUX
- Full HD 2MP HD-SDI/ EX-SDI camera
 - 1920x1080 @ 30/25fps
 - 1080p, 720p or **CVBS selectable**
- True WDR @ 30/25fps
- ROI (Region of Interest) WDR mode (adds additional scene quality optimization)
- NTSC/PAL** changeable via OSD
- Functions and OSD Control
 - Motion Detection, Privacy Mask, Defog, Sens-up (32x), ACE (D-WDR), Sharpness, Deblur, Mirror/Flip, BLC/HLC, Anti-saturation, Smart IR, Title Set
- Power 12VDC polarity protected



Technical Specifications

Electrical		24RS2.0XW-EXSDI
Image Sensor		2MP 1/2.8" STARVIS IMX291 sensor
Effective Pixels		1920 x 1080
Scan Frequency		25/30hz/Progressive
Video Format		HD 16:9, CVBS 16:9
Video Output		EX-SDI (1.0, 2.0) HD-SDI CVBS 1Vp-p ± 10%, 50Ω
Synchronization		Internal
Video Resolution		1920x1080 (30/25fps@2MP) 720p (30/25fps) and 720p cropped (60/50fps)
Min. Illumination		Color: 0.08 LUX, B/W: 0.005 LUX @50 IRE Color: 0.005 LUX, B/W: 0.0001 LUX in "Sens-up"
Signal to Noise Ratio		>50dB (AGC off)
Exposure		Brightness/Shutter/Sens-up/AGC
White Balance		AUTO/AUTOext/PRESET (push to set)/MANUAL
WDR*	WDR	>100dB True Wide Dynamic Range by dual scan images in two frames at 30fps/ 25fps
	ROI-WDR	Region of Interest Wide Dynamic Range (YES)
DNR (Digital Noise Reduction)		YES
Mirror / Flip		Off / On
Operating Power		12VDC +/- 0.5V, polarity protected
Power Consumption		<1.3W

Connector 1 Molex (53047-0310)

01 +12V
02 GROUND
03 VIDEO OUT (CVBS)

Connector 3 (MMCX)

VIDEO OUT (EX-SDI/HD-SDI)

Connector 2 Molex (53047-0410)

01 secondary VIDEO OUT (CVBS ONLY)
02 GROUND
03 AD KEY
04 Reserved (Do Not Use)

Parameter Controls (OSD)

Functions	NTSC/PAL, ACE (D-WDR), Motion Detection, Privacy Mask, Defog, Sens-up (x32), Sharpness, Mirror/Flip, BLC/HLC, Deblur, Anti-Saturation, Color Bar, Title Set, Smart IR, Day/Night settings
-----------	---

Mechanical

Lens Mount	M-12 board mount
------------	------------------

Environmental

Operating Temp.	-10°C - 50°C (14°F - 122°F)
Operating Humidity	20% - 80%RH

OSD Control Board (Optional to connect to connector#2)

60ZRC08 - control board

Cables

60C1026	Included	6", 3pin molex to flying leads. Power/CVBS only
60C1200	Optional	Power/CVBS/HD-SDI cable all in one with breakout to SDI and connector 1 and 2
60C1204	Optional	MMCX Plug to bulkhead type BNC HD-SDI and EX-SDI

* EX-SDI/ HD-SDI only **specify N for NTSC preset, P for PAL preset

04/11/19 24RS2.0XW-EXSDI Rev C

All data subject to change without notice.

Videology® Imaging Solutions, Inc.

37M Lark Industrial Parkway
Greenville, Rhode Island 02828 USA
Tel: +1 (401) 949 - 5332 Fax: +1 (401) 949 - 5276
Americas, Middle East, Far East & Australia sales: sales@videologyinc.com
SGS www.videologyinc.com

Videology® Imaging Solutions, Europe B.V.

Neutonenlaan 4
5405 NH Uden, The Netherlands
Tel: +31 (0) 413-256261 Fax: +31 (0) 413-251712
Europe & N. Eurasia sales: info@videology.nl
www.videology.nl