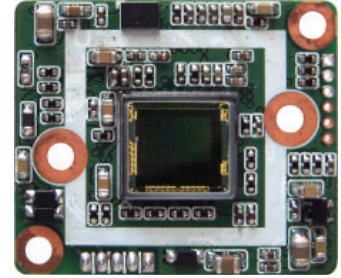


Product Features

Virtual Pan/Tilt/Zoom via VISCA or I²C Commands

- 1/3" 2.4MP Image Sensor
- 1080p 60/50fps 30/25fps
 - 1080i 60/50 fps
 - 720p 60/50/30/25 fps
- Optical zoom *equivalency* is achieved to @2.7x magnification as you reduce from a 2MP resolution image down to full screen VGA resolution
- Digital Zoom up to 33x
- Real Time True WDR
- CVBS analog displayed in 16:9 or Native 4:3 (Cropped)
- Controls via VISCA or I²C or UART
- Extended SDI
 - Transmissions to 500m (1,600ft.)
 - Latency <1fps
- HD-SDI



Technical Specifications

Electrical		24PF2.45W Series
Image Sensor	2.4MP 1/2.86" Panasonic MN34422PL Progressive scan sensor	
Active Pixels	1944 (H) x 1092 (V)	
Frame rate	60/50fps @ Full Resolution	
Resolution	Digital	1080p (60/50, 30/25 fps)
	Analog*	>700 TVL (NTSC/PAL)
Min. Illumination	1/30s	Color: 0.5 lux, B&W: 0.1 lux
	DSS 1/7.5s	Color: 0.02 lux, B&W: 0.025 lux
Gain Control (AGC)	Off/On	
Exposure	Auto/Manual	
Mirror/Flip	Off/H (mirror)/V (flip)/H&V	
Video Format	EX/HD-SDI: 16:9	
	CVBS: 16:9 or 4:3 <i>selectable</i>	
Video Output	EX-SDI	270Mbps visually lossless compression thru 75Ω BNC connection
	HD-SDI	1.485 Gbps, (SMPTE 292M) thru 75Ω BNC connection
	CVBS**	NTSC/PAL standard, 1Vp-p @75Ω composite
WDR	Real time to 120dB (HD-SDI only) Digital 8x (HD-SDI and analog) Regions of Interest (BLC) within WDR	
Power	5VDC +/- 0.1V, polarity protection	
Power Consumption	<1.4 watts	

Communication

VISCA	Camera control via VISCA commands I ² C or keyboard
Interface	3.3: UART, I ² C or keyboard

Zoom Controls *** (VISCA, I²C)

	Preset zoom
	Motion detect zoom

Environmental

Operating Temp.	-20°C - 50°C (04°F - 122°F)
Operating Humidity	30%RH - 80%RH

Mechanical

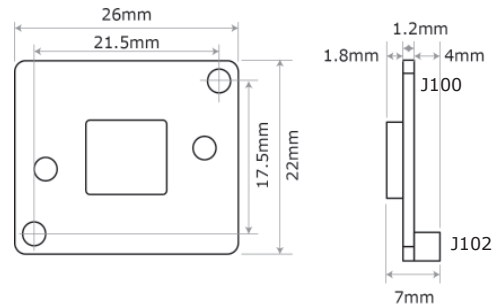
Dimensions WxHxD	22mm x 26mm x 24mm (0.87" x 1.02" x 0.94") (with heat sink and lens mount)
Lens Mount	M-12 board mount lens

HD Transmission Distance

EX-SDI	500m (1,600ft.)
--------	-----------------

- * D-WDR mode only
- ** CVBS has output buff
- *** OSD cannot be used for zooming

board dimensions



Connectors

J100 U-FL connector

- 01 HD-SDI default
- 02 GND

J102

- 01 VIN
- 02 GND
- 03 CVBS
- 04 GND
- 05 UART-Rx, I2C-SCL, Keyboard (3.3V)
- 06 UART-Tx, I2C-SDA (3.3V)

Optional Cables

60C1203	5pin Molex to flying leads
60C1182	U-FL to BNC cable (8')

Optional Accessories

Transmitter/Receiver Packages	Coax	60TR0001 (270MHz ver 1.0)
	UTP	60TR0004 (270MHz ver 1.0)
Repeater	UTC	60TR0003 (270MHz ver 1.0)
	Coax only	60RP0001 (270MHz ver 1.0)

Ordering Information

24PF2.45W-IN	NTSC camera with Pan/Tilt/Zoom commands via I ² C
24PF2.45W-IP	PAL camera with Pan/Tilt/Zoom commands via I ² C
24PF2.45W-VN	NTSC camera with Pan/Tilt/Zoom commands via VISCA
24PF2.45W-VP	PAL camera with Pan/Tilt/Zoom commands via VISCA
24PF2.45W-KN	NTSC camera with Keyboard/OSD commands (future option)
24PF2.45W-KP	PAL camera with Keyboard/OSD commands (future option)

See application note for more details.