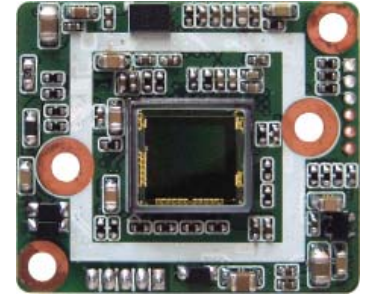


### Product Features

#### Point and Zoom via VISCA Commands

- 1/3" 2MP Image Sensor
- 1080p 30/25fps
- Optical zoom *equivalency* is achieved to @2.7x magnification as you reduce from a 2 MP resolution image down to full screen VGA resolution
- Digital Zoom up to 33x
- Real Time True WDR
- CVBS analog displayed in 16:9 or Native 4:3
- VISCA control via RS-485
  - Transmissions to 500m (1,600ft.)
  - Latency <1fps
- HD-SDI



### Technical Specifications

<b>Electrical</b>		24P2.0XW-EXSDI
Image Sensor	2MP 1/3" Panasonic MN34229 Progressive scan sensor	
Active Pixels	1944 (H) x 1092 (V)	
Frame rate	30/25fps @ Full Resolution (2MP)	
Resolution	Digital	1080p (30/ 25 fps)
	Analog*	>700 TVL (NTSC/PAL)
Min. Illumination	1/30s	Color: 0.5 lux, B&W: 0.1 lux
	DSS 1/7.5s	Color: 0.02 lux, B&W: 0.025 lux
Gain Control (AGC)	Off/On	
Exposure	Auto/Manual	
Mirror/Flip	Off/H (mirror)/V (flip)/H&V	
Video Format	EX/HD-SDI: 16:9 CVBS: 16:9 or 4:3 <i>selectable</i>	
Video Output	EX-SDI	270Mbps visually lossless compression thru 75Ω BNC connection
	HD-SDI	1.485 Gbps, (SMPTE 292M) thru 75Ω BNC connection
	CVBS	NTSC/PAL standard, 1Vp-p @75Ω composite
WDR	Real time to 120dB (HD-SDI only) Digital 8x (HD-SDI and analog) Regions of Interest (BLC) within WDR	
Power	5VDC +/- 0.1V, polarity protection	
Power Consumption	<1.4 watts	

#### Communication

VISCA	Camera control via VISCA commands (only)
Interface	via RS-485

#### Zoom Controls

	4 selectable predefine-able zoom settings Preset zoom Motion detect zoom
--	--

#### Environmental

Operating Temp.	-20°C - 50°C (04°F - 122°F)
-----------------	-----------------------------

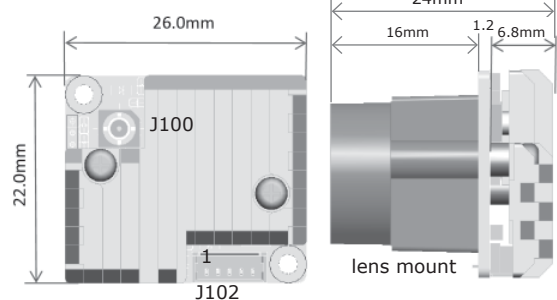
#### Mechanical

Dimensions WxHxD	22mm x 26mm x 24mm (0.87" x 1.02" x 0.94") (with heat sink and lens mount)
------------------	---

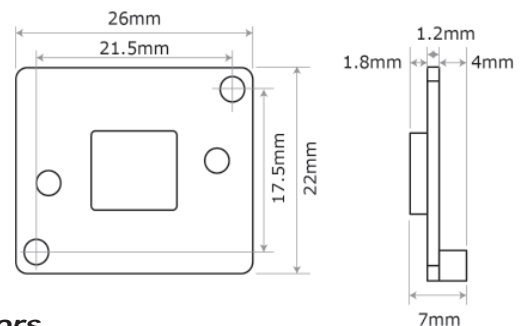
#### HD Transmission Distance

EX-SDI	500m (1,600ft.)
--------	-----------------

heat sink dimensions



board dimensions



#### Connectors

##### J100 H-FL connector

01	HD-SDI default
02	GND

##### J102 MOLEX 53047-0510

01	5VDC
02	GND
03	CVBS
04	RX+ RS-485 +
05	RX - RS-485 -

#### Lens

Lens Mount	Metal M-12 board
------------	------------------

#### Accessories

Transmitter/ Receiver Packages	Coax	60TR0001
	UTP	60TR0002
	UTC	60TR0003
Repeater	Coax only	60RP0001

#### Optional Cables

60C1203	5pin Molex to flying leads
60C1182	H-FL to BNC cable (8")

\* D-WDR mode only

See application note for more details.