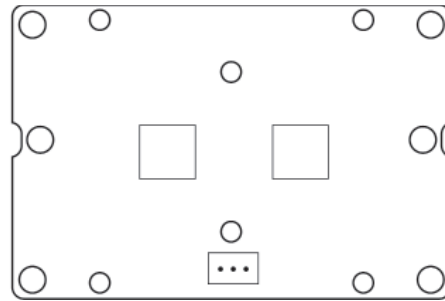
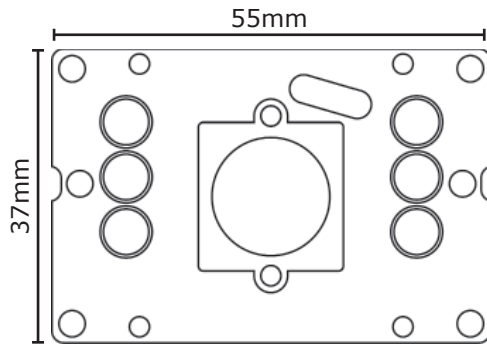
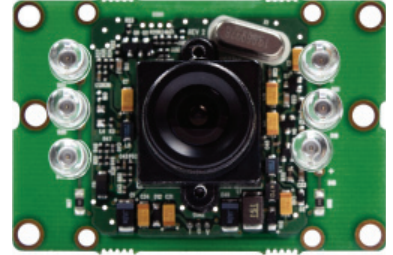


### Product Features

- 1/3" Sony CCD
- 6 Infrared LEDs
- Electronic Iris 1/60 ~ 1/100,00 sec.
- 1Vp-p Composite 75Ω Video Output
- Horizontal Resolution 380 TVL



#### Back Connector

- |           |
|-----------|
| 01 VIDEO  |
| 02 GROUND |
| 03 POWER  |

### Technical Specifications

<b>Electrical</b>	20VM321A-1	21VM321A-1
	EIA	CCIR
Scanning System	2:1 interlaced	
Image Sensor	1/3" Sony CCD	
Active Pixels (HxV)	512 x 492	512 x 582
Horizontal Resolution	> 380 TVL	
Sensitivity	0 lux to approximately 8ft (6 infrared LEDs)	
Signal to Noise Ratio	> 46 dB	
Gamma	0.45	
Gain	AGC	
Synchronization	Internal	
Shutter Speed	Electronic 1/60 ~ 1/100,000 sec.	Electronic 1/50 ~ 1/100,000 sec.
Video Output	1Vp-p 75Ω composite + 10%	
Power Supply	9VDC - 16VDC (12VDC regulated recommended)	
Power Consumption	110mA max (without LEDs)	
Power Indicator	LED	

#### Environmental

Operating Temperature	-10°C ~ 50°C (14°F ~ 122°F)
Operating Humidity	Max RH 95%

#### Mechanical

Dimensions W x H x D	55mm x 37mm x 23mm (2.2" x 1.5" x 0.9")
Weight	40g (1.4oz)
Lens	Integrated lens mount
	Angle of View 92° diagonal
	Focal Length 3.4mm

#### Accessories

Included	cable	3-pole board connector to BNC video/power
Optional	60PR12DC500	12VDC regulated power supply (<500mA model)