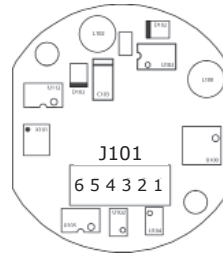
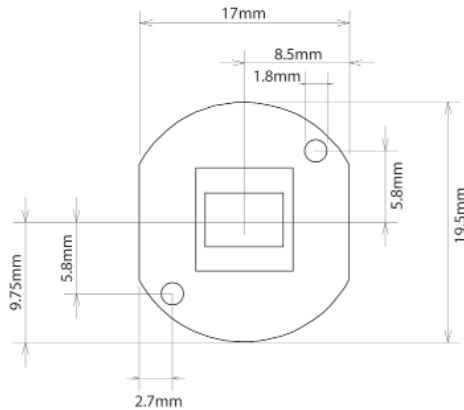
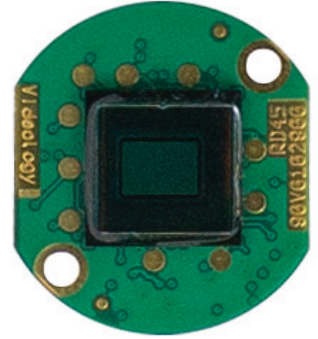


Product Features

- Same outline as our 20RD8 (former model kept in production for 10yrs)
- 1/4" industrial grade CMOS sensor
- Ultra wide voltage range - 4.5VDC – 16VDC
- Low power <1Watt
- High sensitivity (0.3 lux)
- I²C control option for custom overlays and horizontal/vertical flip
- Optional ultra mini 13mm round board



J101	
6	I2C DATA
5	I2C CLOCK
4	CVBS -
3	CVBS +
2	GND
1	Vin 4.5VDC-16VDC

Technical Specifications

	20RD45 NTSC	21RD45 PAL
Electrical		
Image Sensor	1/4" CMOS	
Active Pixels (HxV)	640 x 480	
Pixel Size	5.6µm x 5.6µm	
Sensitivity	<0.025 (50 IRE) F1.2	
Signal To Noise Ratio	46dB (AGC on)	
Gamma	.45 default	
Gain	Automatic 36dB (default)	
Synchronization	Internal	
Back Light Compensation	Default Off	
White Balance	AWB (default)/fixed (selectable via I ² C software)	
Shutter Mode	Electronic Rolling Shutter	
Scan Mode	Interlaced	
Shutter Speed	Auto exposure or fixed	
Contour Enhancement	Default on	
Mirror Mode	Yes (selectable via I ² C software)	
Horizontal Flip	Yes (selectable via I ² C software)	
Dynamic Range	73.4 dB	
Iris Controls	Electronic (No DC signal)	
Electronic Iris	Yes	
Video Output	CVBS (75 Ohms)	
Power Input	4.5VDC – 12VDC	
Power Consumption	<1Watt	
Communication Control	Serial I ² C	

Environmental

Operating Temperature	-30°C ~ 65°C (-22°F ~ 149°F)
Operating Humidity	20% ~ 93% RH
Storage Temperature	-35°C ~ 80°C (-31°F ~ 176°F)
Storage Humidity	Up to 98% RH

Mechanical

Dimensions W x H x D	17.0mm x 19.5mm x 6.7mm (0.67" x 0.76" x 0.26")
Weight	2.6g (0.09 oz)
Lens Mount	No mount

I²C Communication Kit (Optional)

Software control I ² C program kit includes:	
60B6-U (USB version)	I ² C board, Program cable, USB cable, Camera control software

Accessories

Included	60C1039	6 pin JST cable w/ flying leads
----------	---------	---------------------------------

Approbations

	RoHS
--	------

Optional Model

	20/21RD45S	Ultra mini 13mm round board
--	------------	-----------------------------