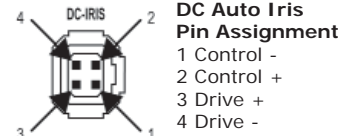
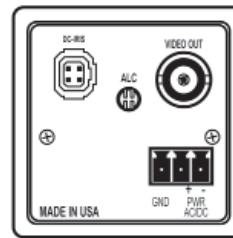
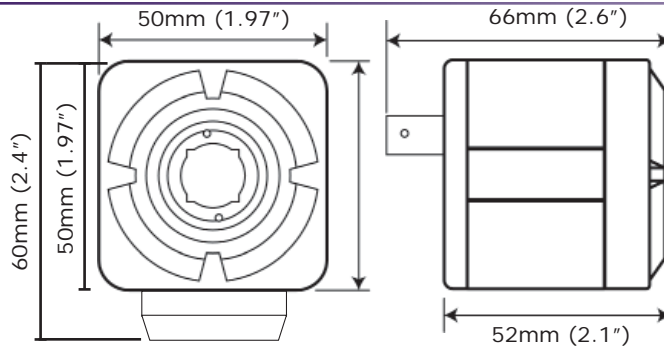


### Product Features

- Provides analog (CVBS) and digital (BT.656) video output **simultaneously**
- Wide Dynamic range to 120dB provides brilliant color detail within both shadows and brightest light scenes
- Direct drive auto iris
- Rugged all metal housing
- Top or bottom mountable



Shown with optional lens



### Technical Specifications

	20D739S-2 NTSC	21D739S-2 PAL
<b>Electrical</b>		
Image Sensor	1/3" CMOS	
Effective Pixels (H x V)	756 x 504	
Pixel Size	6.35um x 7.4um	
Shutter Mode	Rolling	
Horizontal Resolution	690 TVL	
Aspect Ratio	4:3	
Sensitivity	<0.1 Lux color / <0.01 Lux B&W	
White Balance Range	2,850K - 6,000K	
Wide Dynamic Range	120dB (max), 102dB (typical)	
Synchronization	Internal	
Iris	Manual	
Scanning System	2:1 Interlace default / progressive (optional)	
Frame Rate	30fps	25fps
White Balance Control	AWB (default)	
Day & Night	Auto (default)	
Communication	I <sup>2</sup> C / OSD (optional)	
Image Flip	Default off	
Mirror Mode	Default off	
AGC Control	Auto (default)	
Zoom	Digital	
Gamma	.45 default	
Video Output	CVBS / BT656	
Signal to Noise Ratio	47.9dB	
Supply Voltage	4.5VDC - 15VDC +/- 10%	
Power Consumption	<0.8W	

### Environmental

Operating Temperature	-10° ~ 50° Celsius (14°F ~ 122°F)
Operating Humidity	30% - 90%
Storage Temperature	-30°C ~ 80°C (-22°F ~ 176°F)
Storage Humidity	<85%RH
MTBF	150,000 hours

### Mechanical

Dimensions WxHxD	50mm x 50mm x 55mm (1.97" x 1.97" x 2.6") w/o 1/4-20 mount
Weight	183.5g (0.40 oz)
Lens Mount	C, CS

### Accessories

Included	1/4-20 mount for top/bottom mounting Detachable power block for easy installation
----------	--