



45M056XR
5.6" LCD Monitor
NTSC / PAL Switchable

Operation Manual

WARNING

To reduce the risk of fire or electric shock, do not expose this appliance to rain, water or wet locations.

Contents

- I. Box Contents
- II. Features
- III. Functions
- IV. Operation
- V. O.S.D. Control
- VI. Specifications

I. Box Contents

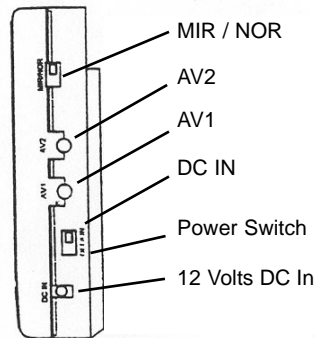
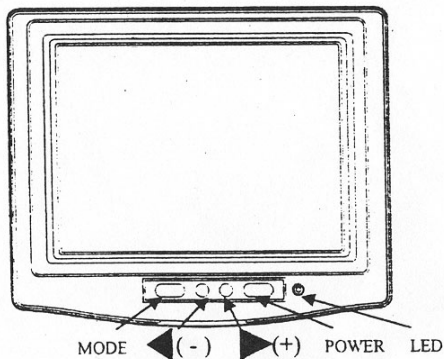
- 45M056XR Monitor
- 2x A/V cables (Female RCA Audio, Female RCA Video) mini plug A/V connector
- Base Stand
- 12V DC power supply
- Instruction Manual

II. Features

The 45M056XR controls are accessed via an O.S.D. (On Screen Display) menu, which allows the user to adjust Contrast, Brightness, Color, Tint, Volume and the O.S.D. Display Position. An EEPROM can save the original setting when the monitor is turned off.

The 45M056XR has two A/V inputs, displays PAL and NTSC video and has mirror mode and horizontal flip modes.

III. Functions



IV. Operation

- A. Connect the Audio/Video cable into either the AV1 or AV2 input terminal.
- B. Plug in DC power supply into the 12V DC jack on the side of the monitor.
- C. Turn the power switch on the side to "On" and press the power "On" button at the front of the monitor.
- D. Select AV1 or AV2 by pressing ◀ (AV1) or ▶ (AV2).

V. O.S.D. Control

- A. There are 2 principal O.S.D. menus in the 45M056XR. The primary O.S.D. allows control of basic controls such as (volume, contrast, brightness, color, and mirror mode). To access the primary O.S.D. menu, press the "Mode" button at the front of the monitor while the monitor switch is turned on. Use the arrow keys ◀ & ▶ to adjust the desired function.
- B. The advanced settings O.S.D. menu is accessed by pressing and holding down both the "Mode" and left arrow ◀ buttons while turning the main power switch on. The advanced O.S.D. offers control of additional features: (O.S.D. positions horizontally, and vertically, horizontal flip, and an NTSC / PAL selection.)

To reset the LCD to initial factory settings switch off the LCD using the power button. The main power switch must remain on.

Holding down the "Mode" and arrow ▶ keys, turn the monitor on by pressing the power button.

VI. Specifications

		45M056XR
Operating System	NTSC/PAL switchable	
Picture size	5.6" diagonal	
Resolution (H x V)	960 x 234 pixels	
Response Time	Tr+15ms. Tr+20ms msx	
LCD Type	Active matrix TFT / stripe array	
Dot Pitch (H x V)	0.119mm x 0.357mm	
Brightness	200 cd/m ²	
Contrast Ratio	150: 1	
Video Angle	Left/Right: 75°, Up/Down: 55°	
Back Light	LED	
Mirror Mode	Off / On	
Horizontal Flip	Off / On	
Video/Audio Connector	Min phone jack/Miniphone plug to RCA plug adapter	
Input Signal	Video	2 Composite: 1Vp-p 75 ohms
	Audio	30-100mVp-p
Audio Output	0.5W Max, 8 ohms	
Power Supply	12VDC + 10%	
Power Consumption	7W max	