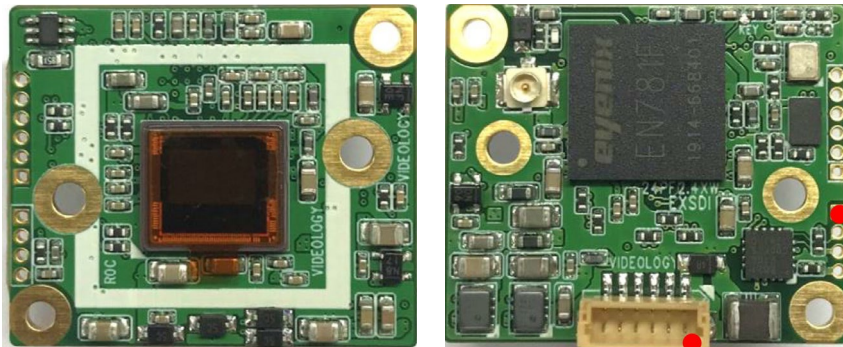


VIDEOLOGY®

IMAGING SOLUTIONS INC.
Original Equipment Manufacturer

Instruction manual 24PF2.45W-K Series Board Camera Keyboard/Joystick version Preliminary



24PF2.4XW shown

Information may change without notice.

This document provides technical information for the user. Videology reserves the right to modify the information in this document as necessary. The customer should make sure that they have the most recent manual version. Videology holds no responsibility for any errors that may appear in this document.

For technical assistance with this product, please contact the supplier from whom the product was purchased.



Videology® Imaging Solutions, Inc.

37M Lark Industrial Parkway
Greenville, Rhode Island 02828 USA
Tel: (401) 949 - 5332 Fax: (401) 949 - 5276
Americas, Middle East, Far East & Australia
sales: sales@videologyinc.com

Videology® Imaging Solutions, Europe B.V.

Neutronenlaan 4
5405 NH Uden, The Netherlands
Tel: +31 (0) 413 256261
Fax: +31 (0) 413 251712
Europe & N. Eurasia sales: info@videology.nl

License Agreement (Software):

This Agreement states the terms and conditions upon which Videology Imaging Solutions, Inc. USA and Videology Imaging Solutions, B.V. Europe (hereafter referred to as "Videology®") offer to license to you the software together with all related documentation and accompanying items including, but not limited to, the executable programs, drivers, libraries, and data files associated with such software.

The Software is licensed, not sold, to you for use only under the terms of this Agreement.

Videology grants to you, the purchaser, the right to use all or a portion of this Software provided that the Software is used only in conjunction with Videology's family of products.

In using the Software you agree not to:

- Decompile, disassemble, reverse engineer, or otherwise attempt to derive the source code for any Product (except to the extent applicable laws specifically prohibit such restriction);
- Remove or obscure any trademark or copyright notices.

Limited Warranty (Hardware and Software):

ANY USE OF THE SOFTWARE OR HARDWARE IS AT YOUR OWN RISK. THE SOFTWARE IS PROVIDED FOR USE ONLY WITH VIDEOLOGY'S HARDWARE. THE SOFTWARE IS PROVIDED FOR USE "AS IS" WITHOUT WARRANTY OF ANY KIND, TO THE MAXIMUM EXTENT PERMITTED BY LAW, VIDEOLOGY DISCLAIMS ALL WARRANTIES OF ANY KIND, EITHER EXPRESS OR IMPLIED, INCLUDING, WITHOUT LIMITATION, IMPLIED WARRANTIES OR CONDITIONS OF MERCHANTABILITY, QUALITY AND FITNESS FOR A PARTICULAR APPLICATION OR PURPOSE. VIDEOLOGY IS NOT OBLIGATED TO PROVIDE ANY UPDATES OR UPGRADES TO THE SOFTWARE OR ANY RELATED HARDWARE.

Limited Liability (Hardware and Software):

In no event shall Videology or its Licensor's be liable for any damages whatsoever (including, without limitation, incidental, direct, indirect, special or consequential damages, damages for loss of business profits, business interruption, loss of business information, or other pecuniary loss) arising out of the use or inability to use this Software or related Hardware, including, but not limited to, any of Videology's family of products.

| | |
|-------------------------|------------------------|
| Doc # INS-24PF2.45W-K | Issue Date: 02/23/2021 |
| Revision: B Preliminary | Page 2 of 8 |

Table of Contents

| | | |
|-----|----------------------------------|---|
| 1. | Introduction..... | 4 |
| 1.1 | Firmware Versions | 4 |
| 1.2 | Keyboard / Joystick version..... | 4 |
| 2. | Mechanical..... | 5 |
| 2.1 | Connectors..... | 5 |
| 3. | Operating instructions..... | 6 |
| 3.1 | Entering OSD menu | 6 |
| 3.2 | Entering Zoom Mode | 6 |
| 3.3 | Entering PAN /TILTmode..... | 7 |
| 4. | Contact | 8 |

List of Figures

| | | |
|-----------|---|---|
| FIGURE 1. | CAMERA BOARD (CONNECTORS) | 5 |
| FIGURE 2. | CONNECTING A VIDEOLGY KEYBOARD TO THE CAMERA..... | 6 |

List of Tables

| | | |
|----------|--|---|
| TABLE 1. | CONNECTOR J1 – HIROSE-U.FL-R-SMT-1(10) | 5 |
| TABLE 2. | CONNECTOR J2 - JST-BM06B-SRSS..... | 5 |

Document History

| Revision | Issue date | Reason | CN Issued |
|----------|------------|---|-----------|
| Rev A | 11/02/2020 | Initial Release | 20-0065 |
| Rev B | 02/23/2021 | Modified contents to reflect Videology OSD keyboard | 21-0010 |
| | | | |
| | | | |
| | | | |

1. Introduction

For this camera we have three different firmware variations. An instruction manual is available for each variant.

1.1 Firmware Versions

I²C version

If a PC or laptop is used an I²C controller must be connected to it. A separate instruction manual is available describing how to use this interface.

Visca version

In this mode a standard serial communication link is used. If A PC or laptop is used an USB to Serial converter must be used that is compatible to 3.3 V logic. Do not connect the camera directly to a RS-232 port!

Keyboard / Joystick version

If it is required to change some camera settings without connecting a PC using the on screen menu it is possible to connect a keyboard to the camera.

1.2 Keyboard / Joystick version

This document describes the Keyboard / Joystick firmware version. It describes the keyboard and how to connect it.

The on screen menu structure is described in the application note.

| | |
|-------------------------|------------------------|
| Doc # INS-24PF2.45W-K | Issue Date: 02/23/2021 |
| Revision: B Preliminary | Page 4 of 8 |

2. Mechanical

2.1 Connectors

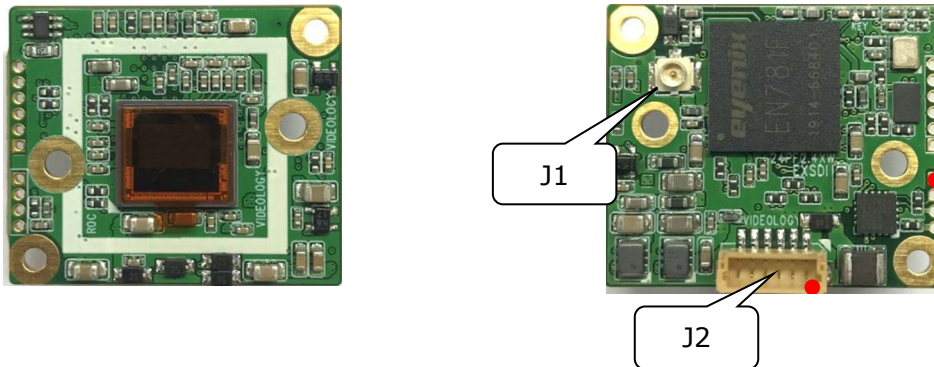


Figure 1. Camera board (Connectors)

| Pin # | Pin name |
|-------|----------|
| 1 | SDI out |
| 2 | GND |

Table 1. Connector J1 - HIROSE-U.FL-R-SMT-1(10)

| Pin # | Function |
|-------|-----------------------------|
| 1 | 5VDC |
| 2 | GND |
| 3 | CVBS |
| 4 | GND |
| 5 | Input for keyboard/joystick |
| 6 | Serial output port to PC |

Table 2. Connector J2 - JST-BM06B-SRSS

3. Operating instructions

The schematic diagram below shows how to make the connections. Both pin 1 and 3 of the keyboard connector J1 carry the same signal.

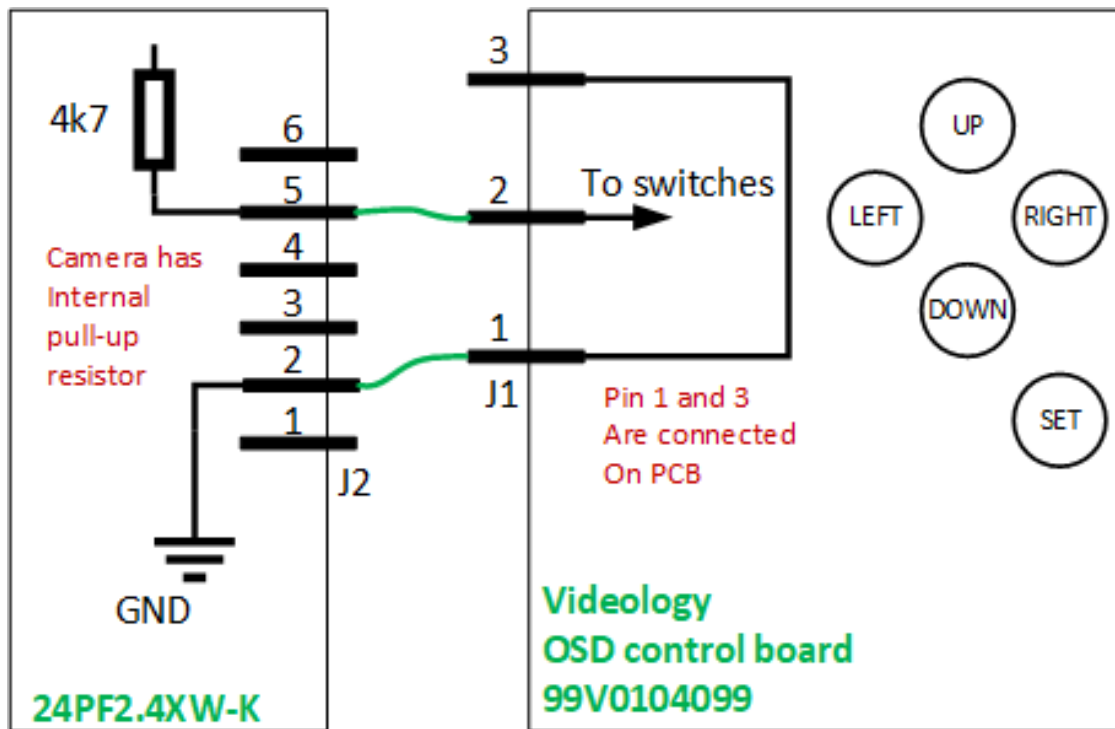


Figure 2. Connecting a Videology keyboard to the camera

It is possible to connect pin 6 of the 6 pole connector J2 to a computer using a USB to serial port converter that has 3.3 V compatible signal levels. At power up it will show the version number of the software when using a terminal program (like PuTTY, Tera Term, Terminal etc).

Multiple keys can be pressed simultaneously, some key combinations can be recognized, but not all.

3.1 Entering OSD menu

When the ZOOM mode and the PAN/TILT modes are NOT active pressing the **SET** button will enter the OSD menu. Any changes will be saved when the EXIT menu option is selected.

If special key combinations are pressed to enter either ZOOM or PAN/TILT mode the OSD menu is aborted without saving any modifications.

3.2 Entering Zoom Mode

This mode is entered when the **UP** and **DOWN** keys are pressed simultaneously. When this mode is active the **UP** key can be used to zoom in (Tele) and the **DOWN** key is used to zoom out (Wide).

Pressing the **SET** button will end the zoom operation.

If the OSD menu is entered after changing the zoomfactor it will be stored in nonvolatile memory when leaving the menu. So at power up the new zoomfactor is restored.

3.3 Entering PAN /TILTmode

When the **UP** and **LEFT** buttons are pressed simultaneously the PAN/TILT mode is activated. This will only have effect if the zoomfactor is higher than 1x. The screen can be moved in four different directions.

Pressing the **SET** button will end this mode.

It is NOT advised to enter the OSD menu when the image is not centered, because when selecting EXIT the actual position will be stored. However at power up this new position will not be restored. But when entering the PAN/TILT mode again this stored position will be used as the start position for PAN/ZOOM, this might cause a sudden screen jump to this stored position.

4. Contact

For technical assistance with this product, please contact the supplier from whom the product was purchased.

For OEM inquiries, contact Videology® Imaging Solutions:

| Americas, Middle East, Far East & Australia | Europe & N. Eurasia |
|---|--|
| Videology® Imaging Solutions Inc. 37M Lark Industrial Parkway Greenville, RI 02828 USA Tel: (401) 949-5332 Fax: (401) 949-5276 | Videology® Imaging Solutions Europe B.V. Neutronenlaan 4 5405 NH Uden The Netherlands Tel: +31 (0) 413-256261 Fax: +31 (0) 413-251712 |

Please visit our website: videologyinc.com

VIDEOLOGY IMAGING SOLUTIONS is an ISO 9001 registered video camera developer and manufacturer serving industrial, machine vision, biometric, security, and specialty OEM markets. Videology designs, develops, manufactures, and distributes video, image acquisition, and display technologies and products to OEMs worldwide.