

VIDEOLOGY

IMAGING SOLUTIONS INC.

Original Equipment Manufacturer

Instruction Manual

1/3" CMOS Rugged Color
Cameras

20D739S-2 / 21D739S-2



Information may change without notice.

This document provides technical information for the user. Videology reserves the right to modify the information in this document as necessary. The customer should make sure that they have the most recent manual version. Videology holds no responsibility for any errors that may appear in this document.

Videology Imaging Solutions, Inc.[®]
37M Lark Industrial Parkway
Greenville, Rhode Island 02828
Tel: (401) 949 - 5332
Fax: (401) 949 - 5276

Videology Imaging Solutions[®], Europe B.V.
Neutronenlaan 4
5405 NH Uden, The Netherlands
Tel: +31 (0) 413-256261
Fax: +31 (0) 413-251712

Americas, Middle East, Far East & Australia sales:
sales@videologyinc.com
www.videologyinc.com

Europe & N. Eurasia sales:
info@videology.nl

Box Contents

1. 20D739S-2 NTSC Color Camera **OR**
21D739S-2 PAL Color Camera
2. 1/4-20 mount
attached to housing with 2 screws
(Movable for top mounting)
3. Detachable power block
4. Operation manual

Warning & Safeguards

To reduce the risk of fire or electric shock, do not expose this appliance to rain, water or wet locations.

Precautions

- Do not put objects inside the unit Make sure that no metal objects or flammable substances get inside the camera. It could cause fire, short-circuits or damages.
- Be careful when handling the unit To prevent damage, do not drop the camera or subject it to strong shock or vibration.
- Install away from electric or magnetic fields.
- Protect from humidity and dust.
- Protect from high temperature. Be careful when installing close to the ceiling, in a kitchen or boiler room, as the temperature may raise to high levels.
- Cleaning - Dirt can be removed from the cabinet only by wiping it with a soft cloth moistened with a soft detergent solution.
- Mounting Surface - The mounting surface material must be strong enough to secure the camera.

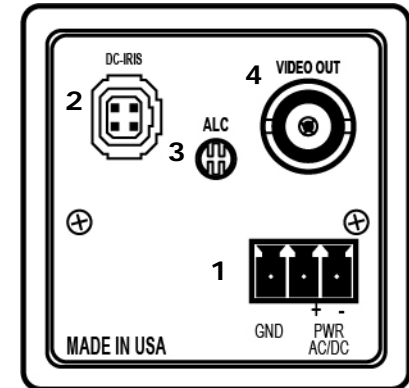
NOTE: This camera comes w/BLC default ON.

Power Board Controls

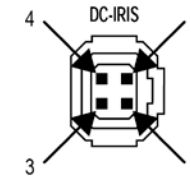
The camera has 24VAC / 12VDC capability.

Connectors and Dimensions

Connections



Pin Assignment

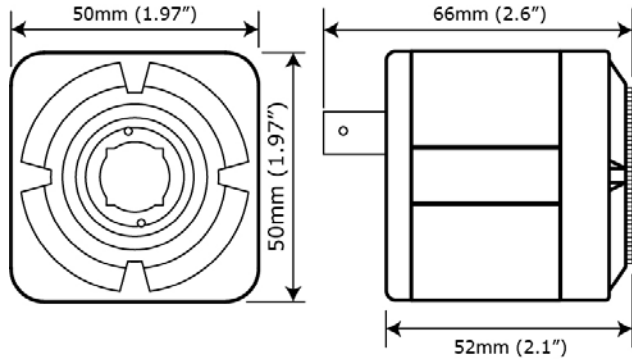


DC Auto Iris

1. Control -
2. Control +
3. Drive +
4. Drive -

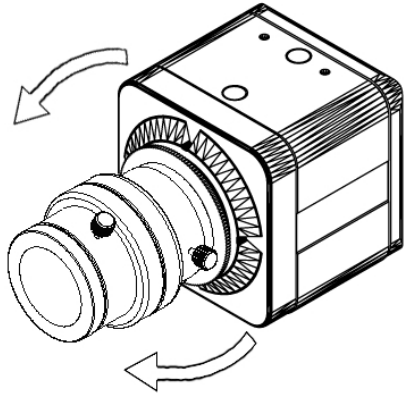
1. Power and Video
The camera has a cable located at the rear. The cable provides power to the camera and composite video output. It can accept either 24VAC or 12VDC inputs and is not polarity sensitive.
2. Composite Video Output. This is a standard Male PC mounted BNC connector.
3. DC Iris
This is a standard 4 position DC Iris connector.
4. ALC Level Control
The 20/21D739S-2 can operate an auto iris lens. For ALC adjustment, adjust the potentiometer at the back of the camera.
5. Video Output
Composite video output. This is a standard male PC mounted BNC connector.

Dimensions



Back Focus Adjustment

1. Adjust the back focus only if the lens is not operating within its specified focal range (i.e. 1.0m ~ infinity).
2. With an allen wrench (not supplied), loosen the two lock screws on the front panel.
3. Loosen the back-focus ring.
4. To properly back focus the lens, turn the small back focus ring counter-clock-wise to reduce the focal length, or clock-wise to increase the focal length, until the desired focus is attained.
5. Tighten the lock screws to secure the back-focus ring.



Specifications

Electrical	NTSC	PAL
Image Sensor	1/3" CMOS	
Active Pixels	(H x V) 756 x 504	
Pixel Size	6.35um x 7.4um	
Shutter Mode	Rolling	
H. Resolution	690 TVL	
Aspect Ratio	4:3	
Sensitivity	<0.1 Lux color <0.01 Lux B&W	
White Balance Range	2,850K - 6,000K	
Wide Dynamic Range	120dB (max), 102dB (typical)	
Synchronization	Internal	
Iris	Manual	
Scanning System	2:1 Interlace default / progressive (optional)	
Frame Rate	30fps	25fps
White Balance Control	AWB (default)	
Day & Night	Auto (default)	
Communication	I ² C / OSD (optional)	
Image Flip	Default off	
Mirror Mode	Default off	
AGC Control	Auto (default)	
Zoom	Digital	
Gamma	.45 default	
Video Output	CVBS / BT656	
Signal to Noise Ratio	47.9dB	
Supply Voltage	4.5VDC – 15VDC +/- 10%	
Power Consumption	<0.8W	

Environmental

Operating Temp.	-10° ~ 50° Celsius (14°F ~ 122°F)
Operating Humidity	30% - 90%
Storage Temp.	-30°C ~ 80°C (-22°F ~ 176°F)
Storage Humidity	<85%RH
MTBF	150,000 hours

Mechanical

Dimensions WxHxD	50mm x 50mm x 55mm (1.97" x 1.97" x 2.2")
Weight	183.5g (0.40 lbs)
Lens Mounts	C, CS

Accessories (Included)

- 1/4-20 mount for top/bottom mounting
- Detachable power block for easy installation