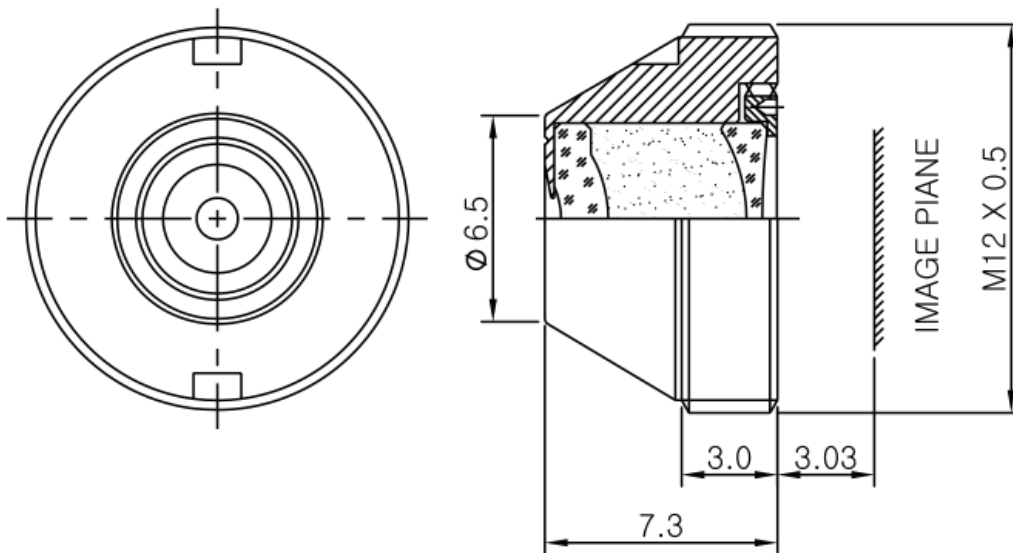


Technical Specifications

Sensing Area		1/3"
Focal Length		4.3mm
Aperture		F2.0
Back Focal Length		3.51mm
Field of View (D x H x V)		88.4° x 64.6° x 46.6°
Operation	Iris	Fixed
	Focus	Manual
Distortion		-28.5%
Minimum Object Distance		40cm - ∞
Mount		M-12
Dimensions (Ø x L)		Ø12mm x 7.30mm
Weight		1.8g



Tolerance : ±0.4