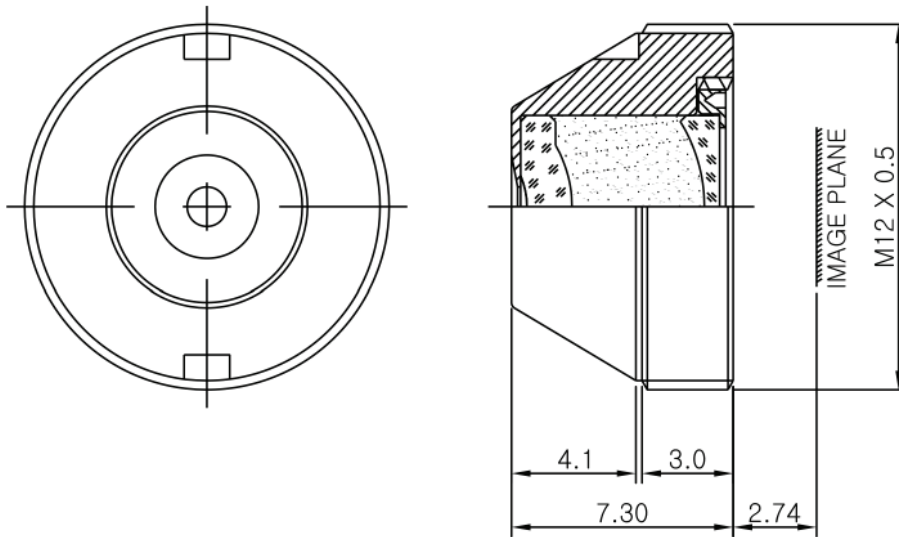


### Technical Specifications

Sensing Area		1/3"
Focal Length		3.4mm
Aperture		F2.0
Back Focal Length		3.19mm
Field of View (D x H x V)		103.2° x 71.4° x 50.8°
Operation	Iris	Fixed
	Focus	Manual
Distortion		-40.9%
Minimum Object Distance		40cm - ∞
Mount		M-12
Dimensions (Ø x L)		Ø12mm x 7.30mm
Weight		1.9g



Tolerance : ±0.4mm