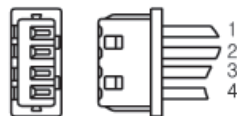
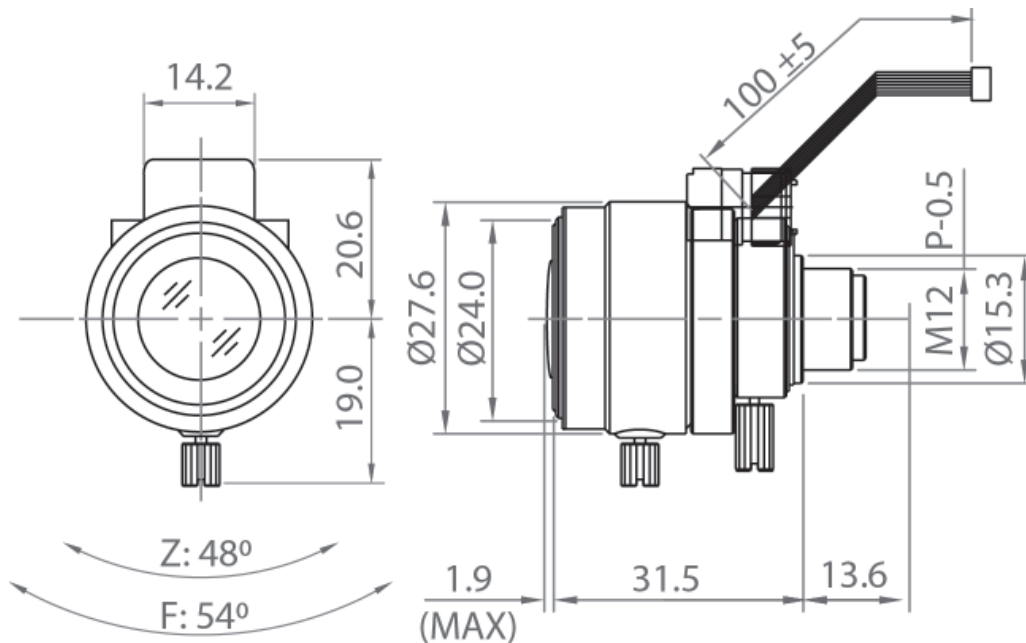


Technical Specifications

Sensing Area		1/4"	1/3"
Focal Length		9.0mm - 22mm	
Back Focal Length		6.7mm - 10.1mm	
Aperture		F1.8	
Field of View	Diagonal	28.7° ~ 11.9°	39° ~ 15.8°
	Horizontal	75.3° ~ 36.2°	30.7° ~ 12.7°
	Vertical	56.6° ~ 27.2°	22.7° ~ 9.5°
Operation	Iris	DC Auto	
	Focus	Manual	
	Zoom	Manual	
Minimum Object Distance		50cm	
Mount		M-12	
Dimensions (D x L)		Ø27.6mm x 33.4mm x 34.4mm	
Weight		24g	



1	RED	CONTROL (+)
2	BROWN	CONTROL (-)
3	YELLOW	DRIVE (+)
4	ORANGE	DRIVE (-)