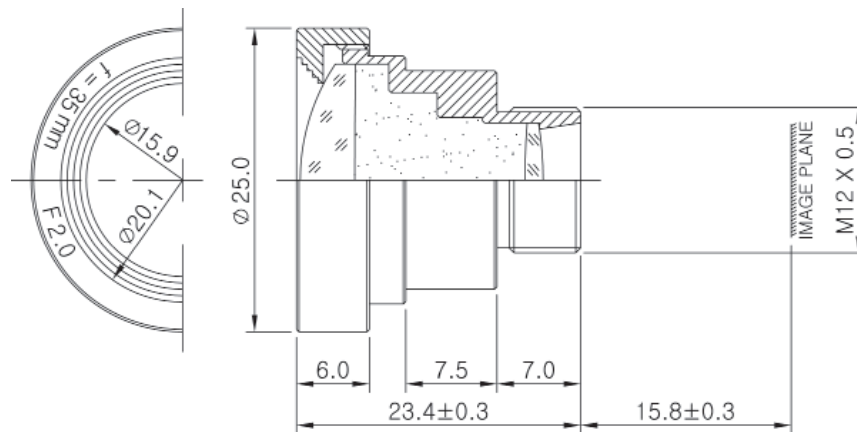


### Technical Specifications

Sensing Area	1/3"	
Focal Length	35mm	
Aperture	F2.0	
Back Focal Length	18.9mm ±5%	
Field of View (D x H x V)	17.0° x 13.0° x 9.8°	
Operation	Iris	Fixed
	Focus	Manual
Distortion	0.1%	
Minimum Object Distance	50cm	
Mount	M-12	
Dimensions (Ø x L)	Ø 25.0mm x 23.4mm	
Weight	15.4g	



Tolerance : ±0.4mm