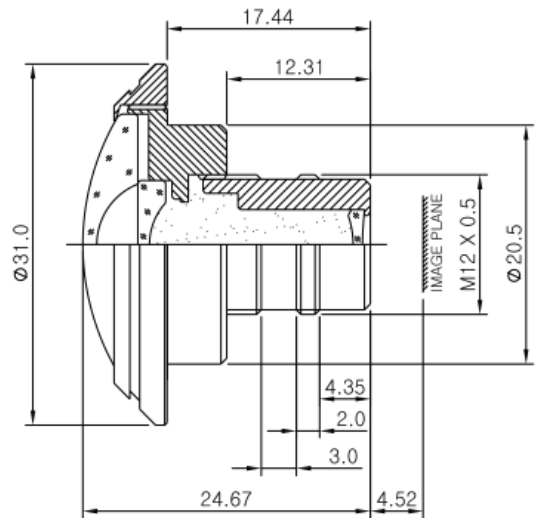


### Technical Specifications

Sensing Area	1/3"	
Focal Length	1.78mm ±5%	
Aperture	F3.0	
Back Focal Length	6.79mm	
Field of View (D x H x V)	170° x 156.3° x 111.3°	
Operation	Iris	Fixed
	Focus	Manual
Distortion	-80%	
Minimum Object Distance	40cm	
Mount	M-12	
Dimensions (Ø x L)	Ø 31mm x 24.67mm	
Weight	15g	



Tolerance : ±0.4mm