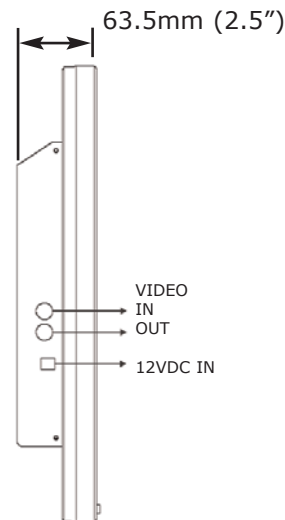
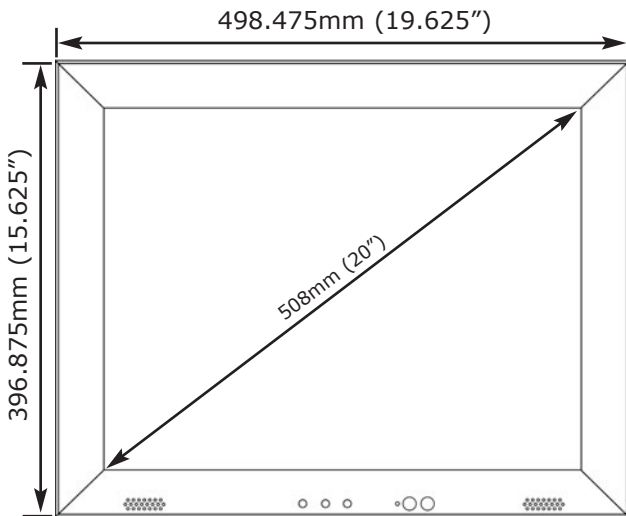




### Monitor Features

- NTSC/PAL Auto Detect
- High Resolution (1280 x 1024 Pixels)
- Inputs/Outputs: 1 BNC Composite Video
- Auto Termination (75 Ohms)
- Anti-Glare Panel
- VESA Standard Bracket (75mm/100mm) & Desktop Mount
- Easy OSD Menu User Interface
- Remote Control
- Black Metal Bezel



### Technical Specifications

#### Electrical

	45M20-1
Operating System	NTSC/ PAL auto select
Picture Size	20" diagonal
Resolution (H x V)	800 x 600 pixels
Dot Pitch (W x H)	0.294mm x 0.294mm
Brightness	450 nit
Contrast Ratio	700:1
Response Time	11/5ms
Backlight	CCFL
Input Signal	1 CH 1Vp-p composite video at 75 Ohms
Video Angle	Left 80°, Right 80°, Up 80°, Down 60°
Lamp Life-time	40,000 hrs
Power Source	12VDC / 90-20VAC
Power Consumption	45W (max)/ 3.5A

#### Environmental

Ambient Operating Temp.	-10° C ~ 50° C (14°F ~ 122°F)
Operating Humidity	10% - 85% R.H.

#### Mechanical

Dimensions W x H x D	498.475mm x 396.875mm x 63.5mm (19.625" x 15.625" x 2.5")
Weight	5.0 kg (11 lbs)
Accessories Included	Power supply, power cord Bracket: VESA 100 standard

#### Certifications

FCC, CE