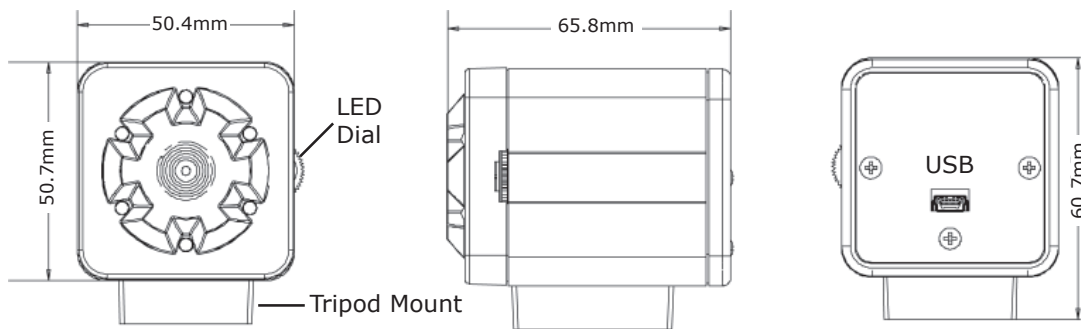


Product Features

- Synchronized USB powered LED flash for consistent high quality images in any environment
- 5.0MP progressive scan sensor for 2592 x 1944 still images
- Separate formats supported for streaming video and still image capture
- Both Compressed (MJPEG) and Raw video outputs supported
- USB 2, UVC compliant
- Convenient manual dial allows customized LED intensity (white LEDs)
- Tripod 1/4 20 mount is attached to base
- Future alternate models - monochrome imaging w/ near IR LEDs



Included:
60C1147 USB 2.0 A to mini B cable (10ft. long)



Technical Specifications

Electrical	24M709AF
Image Sensor Size	1/4" CMOS OmniVision sensor
Active Pixels (HxV)	2592 x 1944
Resolution/ Frame Rate	2592x1944 10fps, 1920x1080 30fps, 1280x720 30fps, 640x480 30fps
Video Compression	MJPEG
Sensitivity	5100 e-/lux sec.
Dynamic Range	68dB
Signal to Noise Ratio	36dB
Shutter Mode	Electronic rolling shutter
Scan Mode	Progressive Scan
Field of View (D x H x V)	56.5° x 46.5° x 36.4°
Video Output	USB 2.0
Power Supply	5VDC via USB 2.0 bus
Power Consumption	750mA

UVC Controls

Still Capture	Selectable
Exposure	Auto/ Manual
Focus	Auto/ Manual
White Balance	Auto/ Manual
Controllable via UVC interface	Brightness, Contrast, Saturation, Sharpness, Gamma

Software

	<ul style="list-style-type: none"> • Videology viewer • DirectX/ DirectShow compliant
--	---

Recommended System Requirements

Hardware	Requires USB 2.0 UVC compliant ports	
Software	Windows 7, 8, 10	32 bit and 64 bit
	Linux	2.6.26+ potential
	Mac OS	10.4.3 potential

Environmental

Operating Temperature	-15°C - 55°C (5°F-131°F)
Storage Temperature	-25°C - 70° (-13°F - 158°F)
Operating Humidity	20% - 93% RH (non condensing)
Storage Humidity	Up to 98% RH (non condensing)

Mechanical

Dimensions W x H x D	50.4mm x 60.7mm x 65.8mm (with mount)
Weight	154g
Included Cables	60C1147 - USB 2.0 A to mini B cable (10ft.)
Included Tripod Mount	1/4 20 mount for easy mounting capability