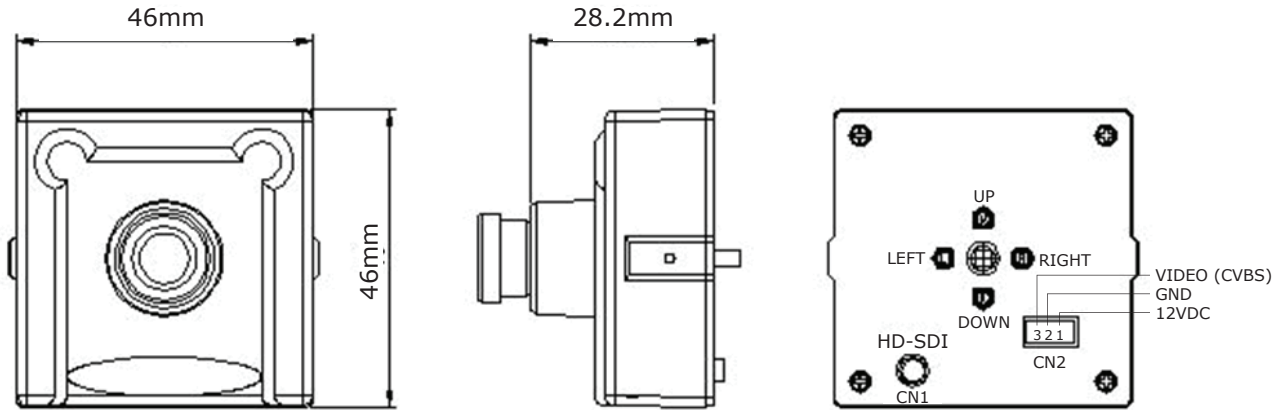


Product Features

- 1/2.9" Sony CMOS image sensor
- 2.1 megapixel
- Full-HD resolution
- Electronic day/night capability
- Digital wide dynamic range
- Supports 28 different privacy masking zones
- Motion detection
- Full OSD control
- **Delivers HD-SDI and composite video output simultaneously**



Technical Specifications

Electrical	24H705-SDI
Image Sensor	1/2.9" 2.1MP Sony CMOS
Effective Pixels (H x V)	1944 x 1092
Pixel Size (H x V)	2010 x 1108
Scanning System	Progressive scan
Sensitivity	1 Lux (color), 0.5 Lux (B&W) 0.02 Lux (Sens-up x8)
Signal To Noise Ratio	>50dB
Sharpness	0-15 steps
Gain	AGC 0-10 steps
Gamma	$\gamma = 0.45$ typ. (0.2 ~ 1.0)
DNR	2DNR/ 3DNR
Back Light Compensation	WDR/ BLC/ Off
White Balance	Auto/ autoext/ preset/ manual
Day/Night Mode	Auto/ B&W/ color
Shutter Speed	Electronic Auto/ manual (1/30 (1/25) - 1/60,000 sec)
Motion Detection	On/ off
ACE (Digital WDR)	On/ off
Mirror Mode	Horizontal/ Vertical/ H&V/ off
Digital Zoom	On/off (x1 - x64)
Privacy Masking	On/ off (28 zones, selectable)
Video Output	1080p (1920 x 1080) 30fps 720p (1280 x 720) 30fps
Video Output Level	HD-SDI, Composite video 1Vp-p 75 Ohms
Power Input	12VDC $\pm 10\%$
Power Consumption	160mA (max)
OSD Control	Built in (exposure, white balance, backlight, day/night, image, special, system)

Environmental

Operating Temperature	-10°C ~ 50°C (-14°F ~ 122°F)
Operating Humidity	20% ~ 93% RH
Storage Temperature	-20°C ~ 60°C (-4°F ~ 140°F)
Storage Humidity	Up to 98% RH

Mechanical

Dimensions W x H x D	48mm x 46mm x 42mm (1.89" x 1.81" x 1.65")
Weight	100g (3.52oz)
Lens	3.7mm 3MP fixed
Please refer to Videology's board mount lens guide for options.	

Accessories

Included	Power/video cable/ mounting bracket
----------	-------------------------------------