



Camera Features

- 100x Zoom (10x Optical/10x Digital)
- User Friendly OSD Menu
- 128 Preset Positions
- Adjustable Pan/Tilt Rotating Speed From 1° to 360° Per Second
- Motion Detection
- 570 TVL (In B&W)
- Digital Slow Shutter
- True Day/Night (ICR)
- Auto Focus, Auto Parking Functions
- Auto Flip Function
- Privacy Mask Function
- 4 Alarm I/Os
- Pelco-P, Pelco-D Selectable & RS-485 Control

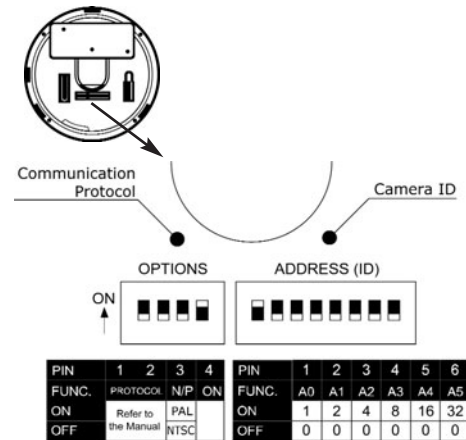
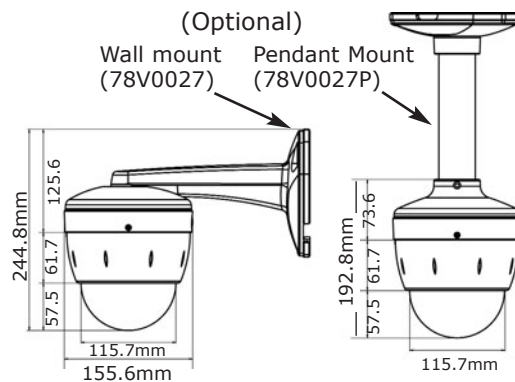


Joystick Remote Control Option (60ZRC200)



60ZRC200 Features

- LCD Display and Joystick Control
- 3 Axis Control Via RS485
- Menu Driven User Configuration
- Password Protected
- Select Up To 255 Cameras From One Keyboard (Max. 99 PTZ units)



Technical Specifications

Electrical	20Z704T-PZ10	21Z704T-PZ10
	NTSC	PAL
Image Sensor	1/4" Interline transfer CCD	
Active Pixels HxV	768 x 494 (380K)	752 x 582 (440K)
Total Pixels HxV	811 x 508 (410K)	795 x 596 (470K)
Scanning System	2:1 Interlace	
Scanning Frequency(HxV)	15.734kHz x 59.94Hz	15.652kHz x 50Hz
Resolution	500 TV Line (Color), 570 TV Line (B/W)	
Sensitivity	Color: 0.7 Lux @ F1.8, 0.005 Lux (Sens-up) B/W: 0.02 Lux @ F1.8	
Signal To Noise Ratio	50dB (AGC off, weight on)	
Synchronization	Internal/line-lock	
White Balance	Auto/manual (red, blue gain adjustable)	
Day/Night	Electronic sensitivity-up (DSS), ICR (AGC type)	
Shutter Speed	Electronic	
	1/60 - 1/120,000 sec	1/50 - 1/120,000 sec
Video Output	1.0Vp-p (75 Ohms, composite)	
Power Voltage	24VAC - power supply included	
Power Consumption	Max. 3.5W	
OSD Menu	On/Off	
Communication	Pelco-P, Pelco-D, RS-485 control	

Environmental

Operation Temperature	-30° C ~ 50° C (-22° F ~ 122° F)
Storage Temperature	-20° C ~ 55° C (-04° F ~ 131° F)
Note: Isolation and lightning suppression protection is recommended for communication, video and power lines	

Mechanical

Dimensions (W x H)	155.6mm x 192.8mm (6" x 7.6") dome only
Weight	Approx. 805.5g (without optional accessories)
Focus	Auto/manual/semi-auto focus
Pan/Tilt Range	Pan: 360° endless rotation; Tilt: 180°
Pan/Tilt Speed	Manual: 1°-360°/sec Preset: 360°/sec Swing: 1°-180°/sec
Pan /Tilt Preset	128 positions with labels
Pattern	4 patterns (about 5min/pattern)
Pan/Tilt Swing	8 swings (speed selectable: 1°/sec-180°/sec)
Pan/Tilt Group	8 groups (max. 20 entries)
Privacy Zone	ON/OFF (4 zone settings)
Lens	3.8mm - 38mm f1.8

Safety Standards	CE, FCC
------------------	---------

Accessories

Optional	78V0027	Wall mount
	78V0027P	Pendant mount

08/12/09 PDS-20Z704T-PZ10 Rev B

All data subject to change without notice.

Videology® Imaging Solutions, Inc.



37M Lark Industrial Parkway
Greenville, Rhode Island 02828 USA
Tel: (401) 949 - 5332 Fax: (401) 949 - 5276
North/South American Sales: Sales@videologyinc.com

Videology® Imaging Solutions, Europe B.V.

Neutronenlaan 4
NL-5405NH Uden, The Netherlands
Tel: +31 (0) 413 256261 Fax: +31 (0) 413 251712
European Sales: Info@videology.nl