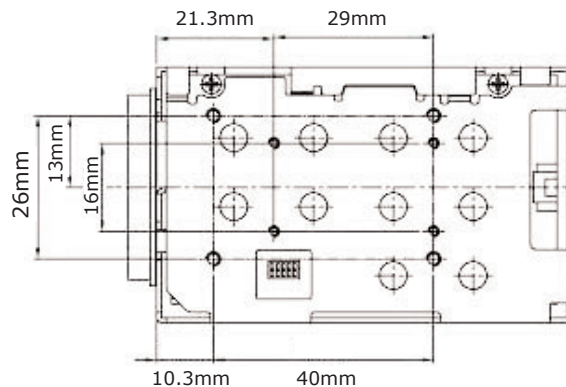
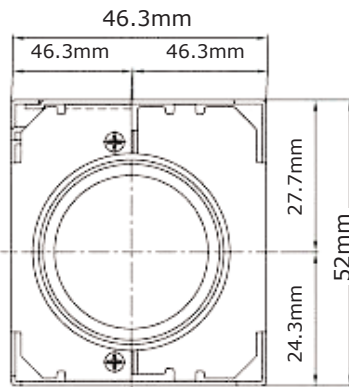




Camera Features

- 1/4" SONY Super HAD Color High Resolution CCD
- Built-in Auto Focus / Auto Iris
- 16x Optical Power Zoom Lens
- 12x Digital Zoom (192x Zoom)
- Stable Iris / Zoom Performance
- Mirror Image / Negative / Positive Function
- OSD (On Screen Display)
- RS-232C TTL Interface (Optional 485)
- Firmware Optimized For Low Vision Applications



Technical Specifications

Electrical

	20Z404-16x NTSC	21Z404-16x PAL
Image Sensor	1/4" Interline Transfer SONY Super HAD CCD	
Active Pixels (HxV)	768 x 494	752 x 582
Total Pixels (HxV)	811 x 508 410k	795 x 596 470k
Resolution	480 (TVL)	
Scanning System	2:1 Interlace	
Scanning Frequency (HxV)	15.734 KHz x 59.94 Hz	15.625 KHz x 50 Hz
Signal System	525 lines	625 lines
OSD (On Screen Display)	On / off	
Sensitivity	0.5 lux	
Signal To Noise Ratio	>48 dB (AGC off)	
Synchronization	Internal	
Shutter Speed	Electronic (8 steps)	
	Auto/Man (1/60 to 1/10000)	Auto/Man (1/50 to 1/10000)
Focus	Auto / manual modes	
Video Input	1Vp-p 75 ohms composite	
Power Supply	12VDC (9VDC - 15VDC)	
Camera Control	RS-232C TTL Interface	

Environmental

Ambient Operating Temperature	-10° C ~ 55° C
Storage Temperature	-20° C ~ 60° C

Mechanical

Dimensions W x H x D	46.3mm x 52mm x 75.5mm (1.8" x 2" x 2.97")
Weight	195g (6.26 lbs)
Lens	16x Optical Zoom (F1.4, f=3.9~62.4mm) Video AF
Zoom	64 Mode Set (Store with Internal EEPROM)
Connectors	10 Pin Connector
Digital Zoom Ratio	12x (Total Zoom Ratio : 192x), 2x~12x Variable

Accessories

Included	Cable adapter
Optional	Dioptr mount front piece Dioptrics - 3x, 2x

Complementary Models

20/21Z404-16XF	Auto focus 16x optical zoom color module with freeze frame
----------------	--