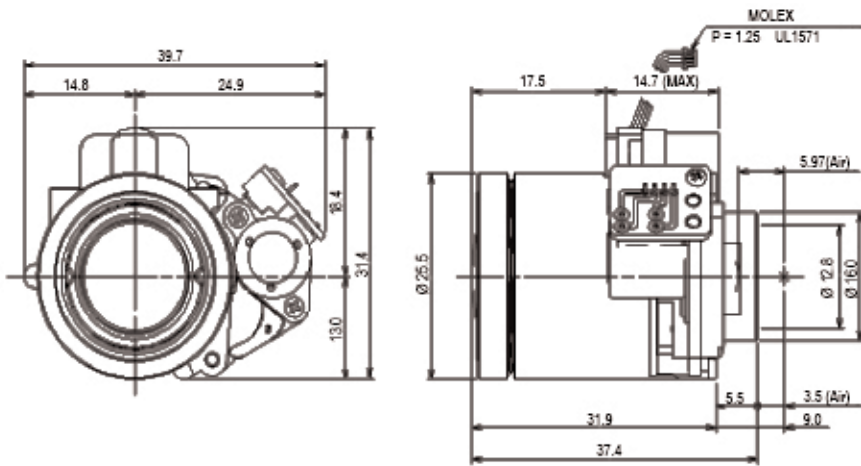
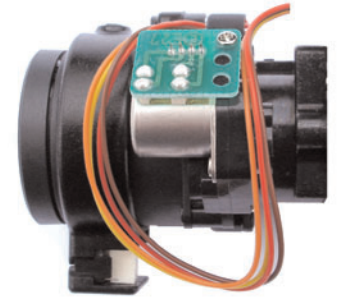


Lens Features

The TotalFocus™ lens is advanced technology, which simplifies field of view adjustment. The TotalFocus™ lens-camera board combination creates a clear image from close up to infinity all the time. Most CCTV lenses are varifocal and only have a single plane of focus. Objects in front or behind the focal point appear blurred. The TotalFocus™ lens offers excellent depth of field so that all objects near and far remain in focus.

3x Motorized Optical Zoom

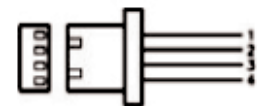
The 2.9mm - 8.5mm lens has 3x optical motorized zoom along with a robust DC auto iris that automatically adjusts to extreme lighting conditions. Optional remote IR programming and zoom control are available via RS485.



f=2.9-8.5mm F1.9 - 360 TotalFocus™

		32V2985PF			
Focal Length		2.9mm – 8.5mm			
Max. Aperture Ratio		1: 1.9 - 360			
Max. Image Format		6(D) x 4.8(H) x 3.6(V)			
Operation		Iris		Auto (F1.9 – 360)	
		Focus		Fixed	
		Zoom		3x optical motorized	
Object Size at 25cm	2.9mm	1/3"	55cm x 35.3cm	1/4"	35.3cm x 24.6cm
	8.5mm		15 cm x 11.1cm		11.1cm x 8.3cm
Coating		Multi & Single			
Angle of View	D	1/3"	121.4° – 41.5°	1/4"	89.1° – 31.2°
	H		95.5° – 33.3°		70.5° – 25°
	V		70.5° – 25°		52.4° – 18.8°
Operating Temperature		-10°C ~ 50°C			
Back Focal Length (In Air)		5.97 – 11.4mm			
Flange Back Length		9.0mm			
Mount		Ø16mm			
Dimensions (L x W x H)		31.9mm x 39.7mm x 31.4mm			
Weight		24g			
Effective Lens Aperture		Front	Ø 14.0mm		
		Rear	Ø 6.2mm		

Wiring Diagram



1	Brown	Control (-)
2	Red	Control (+)
3	Yellow	Drive (+)
4	Orange	Drive (-)

06/21/09 PDS-32V2985PF Rev A
All data subject to change without notice.