



1.3 Megapixel Color Board Camera with WDR and 800TVL CVBS Video 24C1.3XW

Product Features

- SONY 1/3" 1.3MP CMOS sensor
- Resolution: 800TVL (Color), 900TVL (B/W)
- Miniature 32mm single board
- Wide Dynamic Range to 93dB
- Adaptive contrast enhancer (D-WDR)
- Highlight suppression or backlight compensation across multiple windows in a frame
- White balance optimization ranges from sodium lights to partly cloudy skies (1800°K -10,500°K)
- Motion detection and alarm
- Focus adjust function

Image Processing

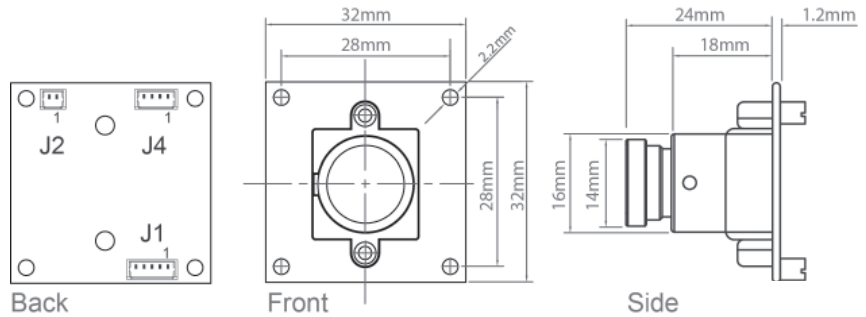
- Digital Noise Reduction (DNR) 2D/3D adaptive
- Fog and haze removal from image (Defog)
- Lens shading compensation
- Privacy masking



24C1.3XW Shown with optional lens

J1 Connector J2 Connector J4 Connector

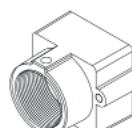
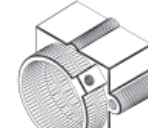
01 CVBS Out	01 Motor-Out 1	01 DMP+
02 GND	02 Motor-Out 2	02 DMP -
03 +12V		03 DRV +
04 GND		04 DRV -
05 Ad-Key		



Technical Specifications

Electrical	24C1.3XW
Image Sensor	SONY 1/3" 1.3MP CMOS Sensor
Scanning System	2:1 Interlace
Scanning Frequency	NTSC: Horizontal: 15.734 KHz, Vertical: 59.94 Hz PAL: Horizontal: 15.625 KHz, Vertical: 50.00 Hz
Resolution	800 TV lines (Color), 900 TV lines (B/W)
Signal to Noise Ratio	52dB (AGC Off, ON)
Min. Illumination	0.1Lux (Color), 0.01Lux (B/W optional DN model)
Iris Control	Electronic/ DC auto iris
Shutter Speed	1/60 ~ 1/160,000 sec., 1/50 ~ 1/160,000 sec.
Power Supply	12VDC +/- 10%

Mechanical

Dimensions W x H x D	32mm x 32mm (1.26" x 1.26")
Lens mounts	Replace "X" in model number with desired lens mount option:
Example: Change 24C1.3XW to 24C1.35W to select an M-12 Board Mount.	5 = Metal M-12 Board 6 = Metal M-14 Board
	 

Environmental

Operating Temperature	-10°C ~ 50°C (14° F ~ 122° F)
Operating Humidity	30% up to 80% RH
Storage Temperature	-20°C ~ 60°C (-4° F ~ 140° F)
Storage Humidity	20% to 90% RH

Accessories

Optional	60ZRC15 OSD control board
----------	---------------------------

Complementary WDR Models

24C2.0XWDIG	1080P Digital HD Compact Color Board Camera with Wide Dynamic Range
20C21XW	1/3" CMOS Wide Dynamic Range Color Board Camera with BT.656 and CVBS Video Output

OSD Functions (See OSD manual for more detail)

Focus Adjustment	Removes subjective focus
Lens	ALC / ELC
Exposure	Brightness / Shutter / Sense-Up / AGC
White Balance	Auto / Auto External / Preset / Manual
Back Light	Off / HLC / BLC / WDR
Digital Noise Reduction	Off / Low / Medium / High
Day / Night	Mode / IR LED / Antisat / External S/W / AGC Threshold / AGC Margin / Delay
Image	Sharpness / Gamma / Pedestal / Color Gain / Mirror / Flip
Special	Camera Title Off / Digital Zoom / DWDR / DFOG / Shading / Intelligent / Privacy / Comm Adjust
System	View Angle / CVBS / Language / Factory Reset / Cam Version

www.videologyinc.com

HEADQUARTERS LOCATION

Videology Industrial-Grade Cameras
35 Hampden Road
Mansfield, MA 02048 | United States

EUROPE LOCATION

Videology Industrial-Grade Cameras
High Tech Campus 5
5656 AE Eindhoven | The Netherlands



Excellence.
Every day. Every time.