

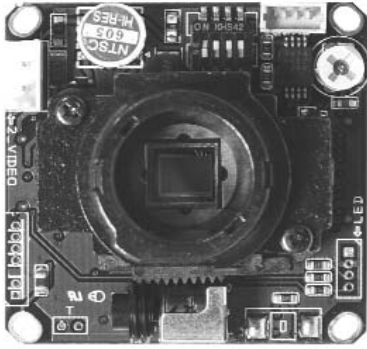
VIDEOLOGY®

IMAGING SOLUTIONS INC.

Operation Manual

20E407TW3* (NTSC) / 21E407TW3 (PAL)
M14 Board Mount Lens

20E409TW3 (NTSC) / 21E409TW3 (PAL)
CS Mount Lens



BOX CONTENTS

1. Camera module
2. Connection cable
3. User manual

SAFEGUARDS & WARNINGS

Prior to installation and use of this product, the following WARNINGS should only be observed.

1. Installation and servicing should only be done by Qualified Service and Installation Personnel.
2. Installation shall be done in accordance with all local and national electrical and mechanical codes.
3. Use only installation methods and materials capable of supporting four (4) times the maximum specified load.

*Only engineering samples have classic 4-pin DC iris pinout connector for evaluation ease.

11/20/06 INS-20E407TW3 Rev A

Camera Settings Dip switch:

No	Function	Off	On
1.	DC IRIS/EE	EE	DC Iris
2.	ATW/AWB	AWB	ATW
3.	WDR	Off	On
4.	AGC	AGC Off	AGC On

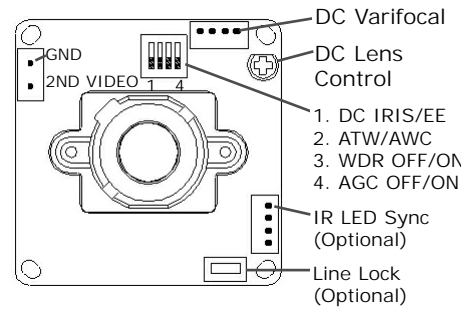
TDN (True Day/Night Feature)

The TDN feature functions automatically to reduce noise and add sensitivity at low light levels. A worm drive triggers to remove the IR cut filter. The color camera switches to a monochrome mode to optimize low light level performance.

Camera Functions

Connectors and Controls

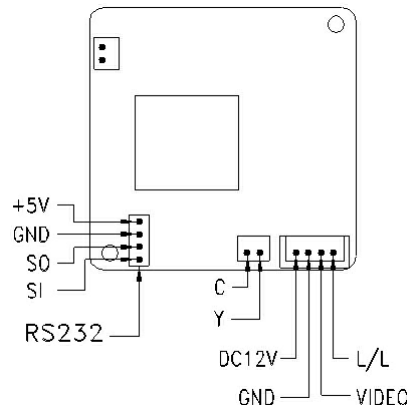
* Lens options vary, but are pre-backfocused for normal operation. Varifocal lens options are indicated in a model number ending in VB (for DC Auto Iris 4 to 9mm varifocals), or WB (for DC Auto Iris 2.6 to 5.6mm varifocals).



Line Lock Phase Adjustment

The push button provides phase adjustment.

Note: See Power Board Controls.



Power Board Controls

(Optional 60PB24VDL)

Optional Line Lock function

For this option, the camera must be connected to a 24VAC power board that provides line lock like the 60PB24VDL. Phase adjust is provided by potentiometers.

Note: The 20E40xT3 will not generate a line lock signal. The 60PB24VDL power board only provides Line Lock with 24VAC.

Technical Specifications

Electrical	20E407T3 NTSC	21E407T3 PAL
CCD Sensor	1/3" Sony CCD imager	
Active Pixels (HxV)	768 x 492	768 x 585
Horizontal Resolution	550 TVL	
Sensitivity	30 IRE 0.3 lux (F1.2) (Color) 30 IRE 0.04 lux (F1.2) (B&W) IR filter is removed by Gen III lens mount mechanism at preset light level	
Signal To Noise Ratio	48 dB or more (AGC off)	
Gamma	0.45	
Synchronization	Internal, line lock (using power board 60PB24V)	
Iris Control	DC iris + electronic Shutter	
Video Output	1V p-p composite 75 Ohms	
Power Supply	12VDC (8VDC~18VDC)	
Power Consumption	<1.75W / <3W filter actuation	

Environmental

Ambient Operating Temp	-10° to + 55° Celsius
Ambient Operating Humidity	90% non-condensing
Storage Temp	-20° to + 70° Celsius
Storage Humidity	95% non-condensing

Mechanical

Dimensions (LxWxD)	38mm x 38mm x 30mm (without lens)
Weight	33g (without lens)
Lens Options	20E407T3-WB 2.6~6mm lens DC iris, F1.4
	20E407T3-VB 4~9mm DC iris, F1.4
	20E409T3 CS mount Note: board lens connector adaptation needed to use 4-pole CS lens connectors

Accessories

Optional	60PB24V - 24VAC power board
----------	-----------------------------