

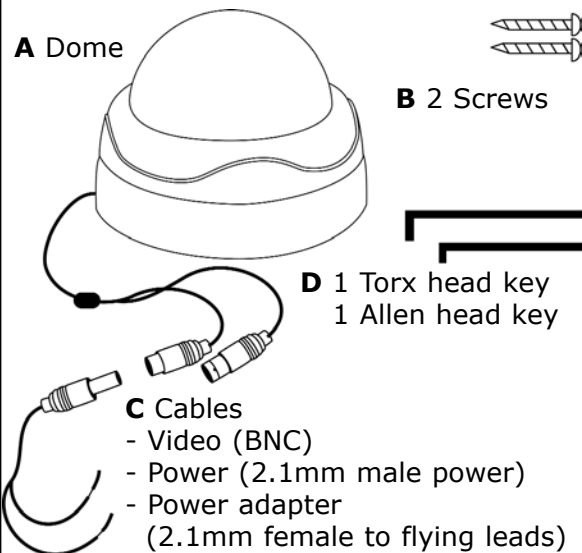
VIDEOLOGY[®]

IMAGING SOLUTIONS INC.

OPERATION MANUAL

4" Vandal Resistant Dome Cameras

BOX CONTENTS

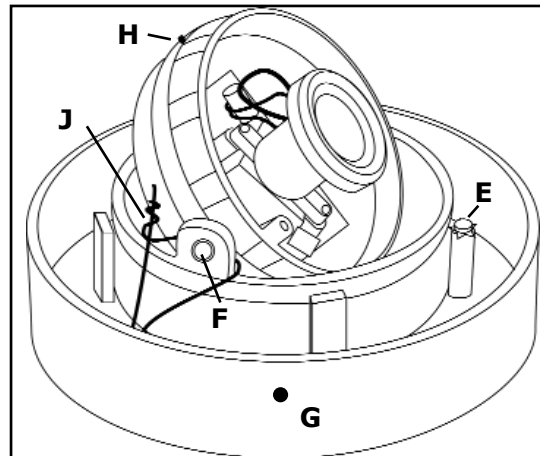


WARNING

To reduce the risk of fire or electric shock, do not expose this appliance to rain, water or wet locations.

4" DOME INSTALLATION INSTRUCTIONS

1. Using the **torx head key (D)**, remove the **torx head locking screw (G)** from the dome. Unlock the outer ring and dome bubble and remove.
2. Remove the 2 **twist ties (J)** used to protect the dome during shipping.
3. Connect the domes **BNC cable (C)** and power to the video cable and power supply. (Not Supplied)
4. Using the provided **screws (B)**, attach the dome either directly to a wall or ceiling or to a 4" round electrical junction box. Secure the dome to wall or ceiling.
5. **Mounting**
 - 5-a. Loosen the **horizontal locking screw (E)** and pan the dome to the desired position.
 - 5-b. Loosen the **vertical locking screw (F)** and tilt the dome to the desired target area.
 - 5-c. If mounting on a wall, use the provided **allen key (D)** loosen the **allen screw (H)** that restricts the gimballed third axis. Rotate the camera ring to orient the picture horizontally. Tighten the allen screw.
6. Replace the dome bubble and locking ring. Insert torx head screw and lock.



INSTRUCTIONS FOR USING A "T" SPLITTER

A "T" Splitter (not supplied) can be used to ease the installation process. It allows you to plug in an optional hand held monitor, allowing you to adjust the camera's output image without having to leave the camera location.

STEP 1: Connect the male side of the "T" splitter to the female BNC of our 4" dome video output (yellow jack).

STEP 2: Connect the male BNC cable from the hand held monitor to one of the female sides of the "T" splitter.

STEP 3: Connect the male BNC cable from the main monitor to the other side of the female "T" splitter.

STEP 4: Connect the power (red jack).

NOTE: Make sure the main monitor is terminated to 75ohms.

