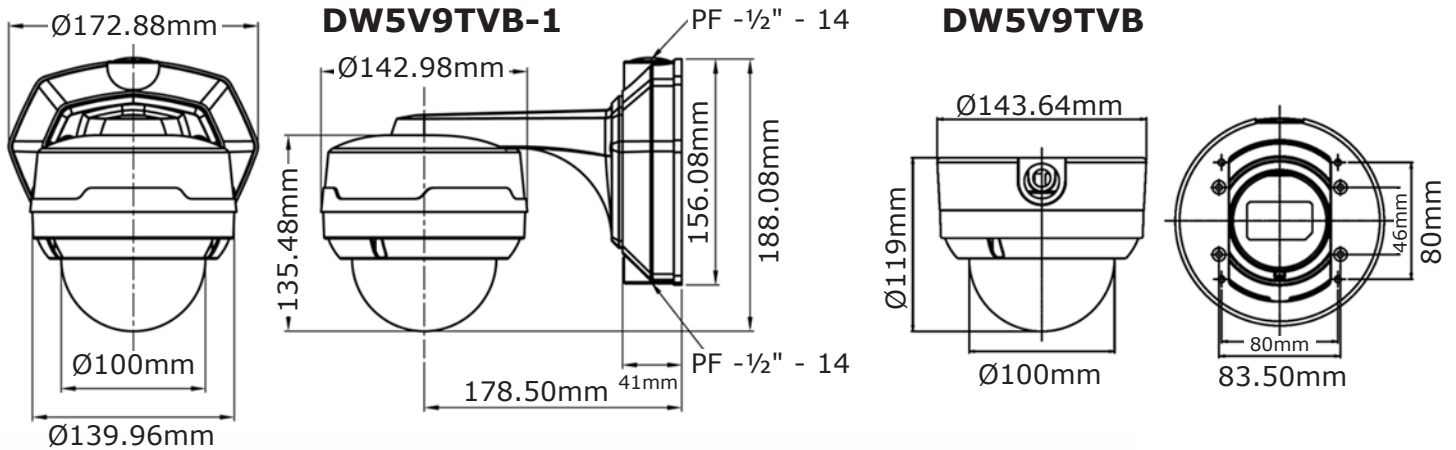




### Camera Features

- 1/3" High Resolution Sony CCD Imager
- True Day/Night Gen III With IR Filter Retraction Optimizes Sensitivity In B&W
- Built-in Heater
- DC-Drive Auto Iris
- Dip Switch Controllable Features
- IP 67 Rated
- 3 Axis Wall or Ceiling Mountable



### Technical Specifications

#### Electrical

	DW5V9TVB / DW5V9TVB-1
CCD Sensor	1/3" Sony CCD imager
Active Pixels (HxV)	768 x 492 (NTSC) / 768 x 585 (PAL)
Horizontal Resolution	550 TVL
Sensitivity	30 IRE 0.3 lux (F1.2) (Color) 30 IRE 0.01 lux (F1.2) (B&W) IR filter is removed by gen III lens mount mechanism at preset light level
Signal To Noise Ratio	46 dB or more (AGC off)
Gamma	0.45
Synchronization	Internal, line lock
Iris Control	DC iris
Video Output	1V p-p composite 75 Ohms
Power Supply	24VAC
Power Consumption	1 Amp w/ heater

#### Environmental

Ambient Operating Temp.	-20°C ~ 55°C (-4°F ~ 122°F)
Ambient Operating Humidity	90% non-condensing
Storage Temp.	-20° ~ 70° Celsius (-4°F ~ 158°F)
Storage Humidity	95% non-condensing

#### Mechanical

##### DW5V9TVB

Dimensions (Ø x H)	Ø143.64mm x 119mm (5.65" x 4.68")
Weight	1.08kg (2.24 lb)
Lens Options	4~9mm DC iris, F1.4

##### DW5V9TVB-1

Dimensions (Ø x H)	Ø142.98mm x 135.48mm (dome only) Ø5.6" x 5.33" (dome only) Ø172.88mm x 178.5mm (wall mount) Ø6.5" x 7" (wall mount)
Weight	2.26kg (5.0 lb)
Lens Options	4~9mm DC iris, F1.4

#### Accessories

DW5V9TVB Includes	20E407T3 32V0409P-12 60C1093 78V0140 <b>78V0020</b>	camera lens cable exterior dome covering <b>surface mount</b>
DW5V9TVB-1 Includes	20E407T3 32V0409P-12 60C1093 78V0140 <b>78V0019</b>	camera lens cable exterior dome covering <b>wall arm mount</b>

12/13/07 PDS-DW5V9TVB-1 REV A

All data subject to change without notice.

### Videology® Imaging Solutions, Inc.



37M Lark Industrial Parkway  
Greenville, Rhode Island 02828 USA  
Tel: (401) 949 - 5332 Fax: (401) 949 - 5276  
North/South American Sales: Sales@videologyinc.com

### Videology® Imaging Solutions, Europe B.V.

Neutronenlaan 4  
NL-5405NH Uden, The Netherlands  
Tel: +31 (0) 413 256261 Fax: +31 (0) 413 251712  
European Sales: Info@videology.nl