



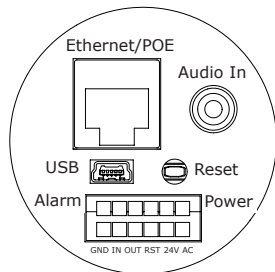
### Vandal Resistant, Low Profile, Elegant Look

#### Camera Features

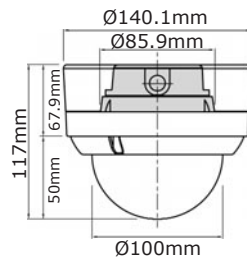
- WDR (Wide Dynamic Range) >102dB
- Power Over Ethernet, 24VAC Auto Detect
- MJPEG / MPEG 4 Compression
- 3-Axis Wall or Ceiling Mountable
- IP 66 Rated
- GPIO Port
- 1 Way Audio
- Motion Detection
- Time/Date Stamp Enabled



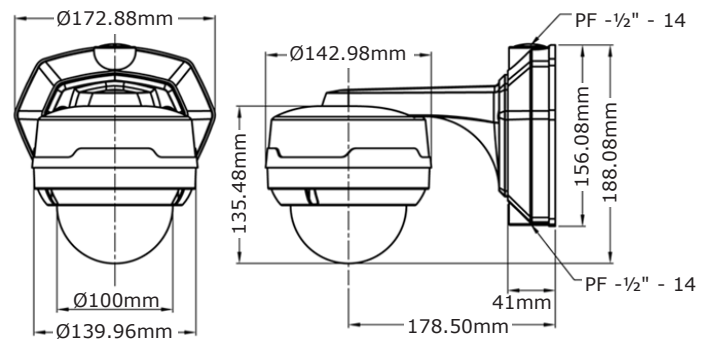
#### Connectors



DW59WI  
W/Base (78V0020)



W/ Optional Wall Mount Arm (78V0019)



### Technical Specifications

Network & Serial		DW59WI	
Network Protocol(s)	TCP/IP, DHCP, HTTP, UDP, SNMP, ICMP, DDNS, DNS, UPnP, PPPoE		
Viewer Operating System(s)	Windows 2000, Windows XP		
Viewer Browser(s)	Internet Explorer 6.x or above		
Network Type	Ethernet (RJ-45 wired, 10/100 base-TX), MDIX support		
Network API	Supported with SDK		
Network Capabilities	Live / record / play /system setup		
Network Throughout	2.4 Mb/sec, 30 fr @ 704x480 (NTSC)	2.4 Mb/sec, 25 fr @ 704x576 (PAL)	
Web Server Access	Up to 8 simultaneous users		
Remote Access Software	Microsoft Internet Explorer or Client		
Video Compression	MPEG 4 & M-JPEG (5 levels) selectable		
Security	1 administrator and up to 7 users Password protection available		
Triggers	Motion detection & alarm in/out		
USB	Interface for IP address setup		

#### Video/ Electrical

Image Sensor	1/3" CMOS Digital Pixel System®
Active Pixels (HxV)	742 x 552
Resolution	480TVL
Sensitivity	0.6 lux @ 30 IRE (F1.2)
Operating System	NTSC/PAL selectable
Dynamic Range	120dB(max), 102dB (typical)
Signal To Noise Ratio	48 dB or more
Auto White Balance	On / Off
Gain	AGC max on / off
Iris Control	DC iris
Video Output	1Vp-p composite 75 Ohms
Power Supply	12VAC - 28VAC 50/60Hz, POE auto detect
Power Consumption	< 6W
Audio	1 way line level audio in <i>Requires external microphone &amp; preamplifier</i>

#### Mechanical: Cast Aluminum Housing

Weight	1.4kg (3lbs) dome & base only	
Alarm I/O	1 alarm in/1 alarm out, 1 reset	
Connectors	Power 24VAC	Flying leads
	Power over Ethernet	RJ-45 jack
	Ethernet	RJ-45 jack (same as P.O.E.)
	5-pin mini B	USB
	Video assist cable	BNC (inside dome)
Tamper Resistant Screws	Input/outputs	Quick disconnect
	Torx head	
Bubble: Hardened Polycarbonate	Slotted black	Standard
Lens	4-9mm DC auto iris	

#### Environmental

Ambient Operating Temp.	-20°C ~ 55°C (-4°F ~ 122°F)
Storage Temp.	-20°C ~ 70°C (-4°F ~ 158°F)

#### NVR Software

Included	IP recording software (SecureView)
SFT-07025	See INS-60SV12VA

Certifications	RoHS Compliant CE & FCC
----------------	----------------------------

#### Accessories

Included	78V0020 - surface mount base for flush mount
	Torx head screws with wrench
Optional	78V0019 - wall mount arm

#### Optional Models

DW59WI-P	PAL preset equivalent version
----------	-------------------------------

Supported by



03/05/09 PDS-DW59WI REV A All data subject to change without notice.

Videology® Imaging Solutions, Inc.

37M Lark Industrial Parkway  
Greenville, Rhode Island 02828 USA  
Tel: (401) 949 - 5332 Fax: (401) 949 - 5276  
North/South American Sales: Sales@videologyinc.com



Videology® Imaging Solutions, Europe B.V.

Neutronenlaan 4  
NL-5405NH Uden, The Netherlands  
Tel: +31 (0) 413 256261 Fax: +31 (0) 413 251712  
European Sales: Info@videology.nl