



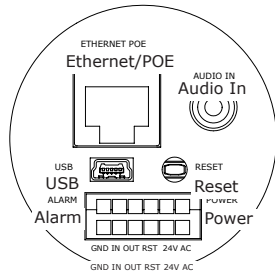
### Vandal Resistant

#### Camera Features

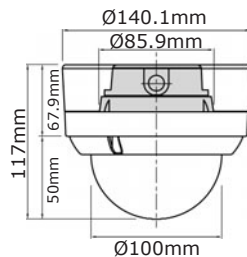
- 1/3" 540TVL CCD Sensor
- Power Over Ethernet, 24VAC Auto Detect
- MJPEG / MPEG 4 Compression
- 3-Axis Wall or Ceiling Mountable
- IP 66 Rated
- GPIO Port
- Motion Detection
- Time/Date Stamp Enabled
- 1 Way Audio



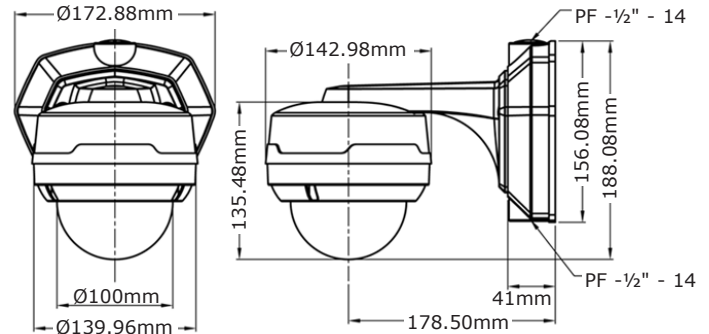
#### Connectors



#### DW59I W/Base (78V0020)



#### W/ Optional Wall Mount Arm (78V0019)



### Technical Specifications

#### Network & Serial

	DW59I NTSC	DW59I-P PAL
Network Protocol(s)	TCP/IP, DHCP, HTTP, UDP, SNTP, ICMP, DDNS, DNS, UPnP, PPPoE	
Viewer Operating System(s)	Windows 2000, Windows XP	
Viewer Browser(s)	Internet Explorer 6.x or above	
Network Type	Ethernet (RJ-45 wired, 10/100 base-TX), MDIX support	
Network API	Supported with SDK	
Network Capabilities	Live / record / play /system setup	
Network Throughput	2.4 Mb/sec, 30 fr @ 704x480	2.4 Mb/sec, 25 fr @ 704x576
Web Server Access	Up to 8 simultaneous users	
Remote Access Software	Microsoft Internet Explorer or Client	
Video Compression	MPEG 4 & M-JPEG (5 levels) selectable	
Security	1 administrator and up to 7 users Password protection available	
Triggers	Motion detection & alarm in/out	
USB	Interface for IP address setup	

#### Video/ Electrical

Image Sensor	1/3" IL CCD	
Active Pixels (HxV)	768 x 492	752 x 582
Resolution	540TVL	
Sensitivity	0.35 lux @ 30 IRE (F1.2)	
Video Output Burst Level	286mv +/- 10% or vector +/- 10	
Compression Picture Pixels	704 x 480	704 x 576
	704 x 240	704 x 288
	352 x 240	352 x 288
Signal To Noise Ratio	48 dB or more	
Auto White Balance	AWB	
Gain	36dB (AGC max on / off)	
Iris Control	DC iris	
Video Output	1V p-p composite 75 Ohms	
Power Supply	12VAC - 28VAC 50/60Hz, POE auto detect	
Power Consumption	< 6W	
Audio	1 way line level audio in <i>Requires external microphone &amp; preamplifier</i>	

#### Mechanical: Cast Aluminum Housing

Weight	1.4kg (3lbs) dome & base only	
Alarm I/O	1 alarm in/1 alarm out, 1 reset	
Connectors	Power 24VAC	Flying leads
	Power over Ethernet	RJ-45 jack
	Ethernet	RJ-45 jack (same as P.O.E.)
	5-pin mini B	USB
	Video assist cable	BNC (inside dome)
	Input/outputs	Quick disconnect
Tamper Resistant Screws	Torx head	
Bubble: <i>Hardened Polycarbonate</i>	Slotted black	Standard
Lens	4-9mm DC auto iris	

#### Environmental

Ambient Operating Temp.	-20°C ~ 55°C (-4°F ~ 122°F)
Storage Temp.	-20°C ~ 70°C (-4°F ~ 158°F)

#### NVR Software

Included	IP recording software (SecureView)
SFT-07025	<i>See INS-60SV12VA</i>

#### Accessories

Included	78V0020 - surface mount base Torx head screws with wrench
Optional	78V0019 - wall mount arm
Certifications	RoHS Compliant CE & FCC

Supported by

