



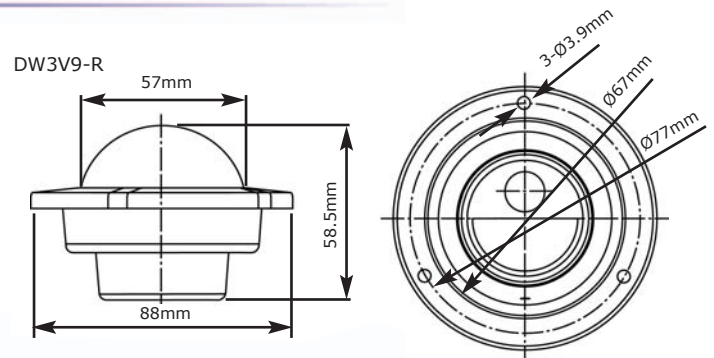
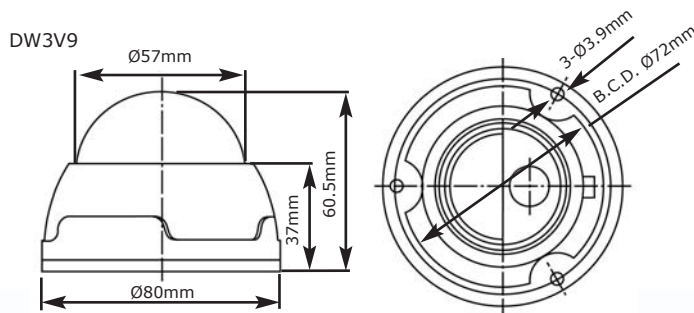
Camera Features

- Mini Sized Vandal Resistant Dome Camera With Locking Screw
- IP66 Rated For Weather Resistance
- Ø 57mm Polycarbonate Dome Cover
- High Resolution (460 TVL)
- 3-D Gimbal Rotation For Simple Mounting on Wall or Ceiling
- Applications: Elevator, Bus, Train, Trucks



DW3V9-R
Recessed

DW3V9
Flush Mount



Technical Specifications

Electrical

	DW3V9	DW3V9-R
Image Sensor	1/3" IL CCD	
Picture Elements	768 x 492 (NTSC)	752 x 582 (PAL)
Resolution	460 TVL	
Sensitivity	0.5 Lux (50 IRE) f1.2, 3200 ⁰ K	
Signal To Noise Ratio	>48 dB (AGC off)	
Gamma	0.45	
Gain Control	AGC 36dB	
Synchronization	Internal (X-tal controlled)	
Scan Mode	Interlaced	
Contour Enhancement	On	
Iris Controls	Electronic	
Video Output	Composite 1Vp-p CVBS (75 ohms)	
Power Supply	+12VDC (+/- 10%)	
Power Consumption	< 200mA	

Environmental

Operating Temperature	-15° C ~ 55° C (5° F ~ 131° F)
Storage Temperature	-30° C ~ 80° C (-22° F ~ 176° F)
Operating Humidity	20 to 93% RH
Storage Humidity	Up to 98% RH
Lifetime	MTBF >150000 hours

Warning: Avoid aiming the camera at the sun or other extremely bright lights. The CCD image sensor may be damaged if exposed to very bright objects.

Mechanical

Dimensions Ø x H	80mm x 60.5mm (3.15" x 2.38") DW3V9
	88mm x 58.5mm (3.46" x 2.30") DW3V9-R
Weight	200g (0.44 lbs) DW3V9
	170g (0.37 lbs) DW3V9-R
Construction	Aluminum housing, polycarbonate bubble
Lenses	Fixed focal lengths of 3.0mm or 3.6mm
i.e. for a High Resolution 3.6mm lens the model number will be - DW3V9L3.6 (see the "Dome Configuration" chart to custom create your dome)	

Accessories

Included	Plug n' play cable	Power (2 pos., amp receptor) Video (BNC)
----------	--------------------	---

Approbations

IP66 Class

07/23/08 PDS-DW3V9 Series REV C

All data subject to change without notice.

Videology® Imaging Solutions, Inc.



37M Lark Industrial Parkway
Greenville, Rhode Island 02828 USA
Tel: (401) 949 - 5332 Fax: (401) 949 - 5276
North/South American Sales: Sales@videologyinc.com

Videology® Imaging Solutions, Europe B.V.

Neutronenlaan 4
NL-5405 NH Uden, Netherlands
Tel: +31 (0) 413 256261 Fax: +31 (0) 413 251712
European Sales: Info@videology.nl