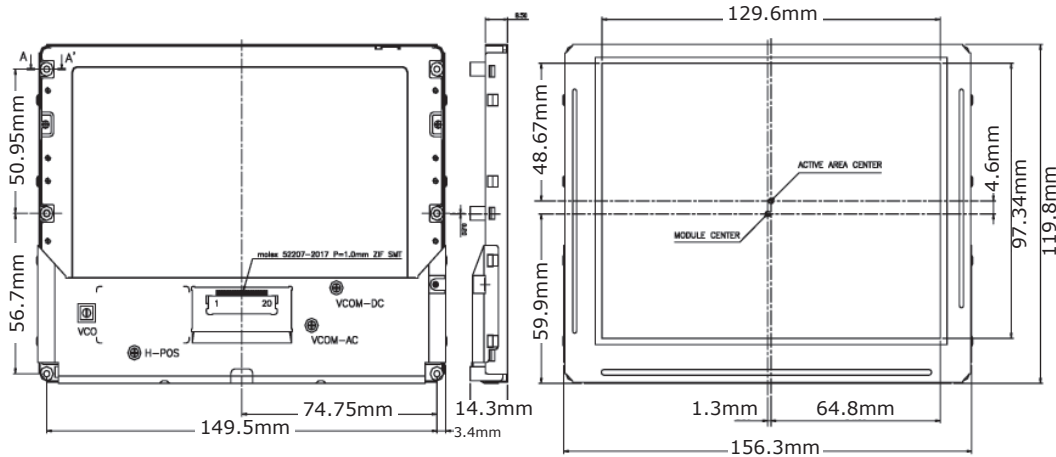


Product Features

- TFT active matrix
- High resolution (960 x 234 pixels)
- R.G.B. Stripe
- Dual channel
- NTSC/PAL auto switchable
- Mirror mode
- Vertical flip



Technical Specifications

Electrical	45S064
Operating System	NTSC/PAL auto switchable
Picture Size	6.4" diagonal
Resolution (H x V)	960 x 234 pixels
LCD Type	TFT active matrix, R.G.B. Stripe
Color Configuration	R.G.B. Stripe
Dot Pitch (W x H)	0.135mm x 0.416mm
Active Area (H x V)	129.6 x 97.34
Brightness	330 cd/m ²
Contrast Ratio	350:1
Response Time	Tr: 15ms Tf: 25ms (Typ.)
Backlight	CCFL
Mirror Mode	On/Off
Vertical Flip	On/Off
Input Signal	1Vp-p composite video at 75 Ohms
Video Angle	Left 60°, Right 60°, Up 40°, Down 55°
Lamp Life-time	30,000 hr min.
Power Source	12VDC ±10%
Power Consumption	7W (max)

Environmental

Operating Temperature	-20° C ~ 70° C (-4° F ~ 158° F)
Storage Temperature	-30° C ~ 80° C (-22° F ~ 176° F)
Operating Humidity	Max. 85% RH
Storage Humidity	Max. 85% RH

Mechanical

Dimensions W x H x D (Panel)	156.3mm x 119.8mm x 14.3mm (6.15" x 4.72" x 0.56")
Weight	235g (0.52 lb) panel only
O.S.D. Controls	Contrast, Brightness, Hue (NTSC only), Saturation, Sharpness, Mirror, Vertical Flip, Volume
Connectors	2.1mm power jack, 2 BNC video

Accessories

Included	Cables	2 AV-IN 1 12VDC-IN
	Optional	Keyboard control with LED light

Safety Standards

	FCC, CE, UL, RoHS
--	-------------------