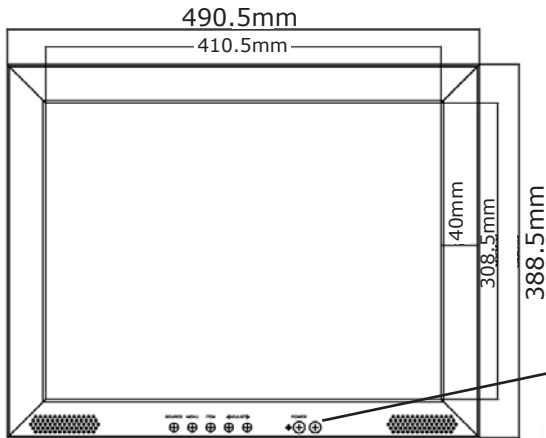


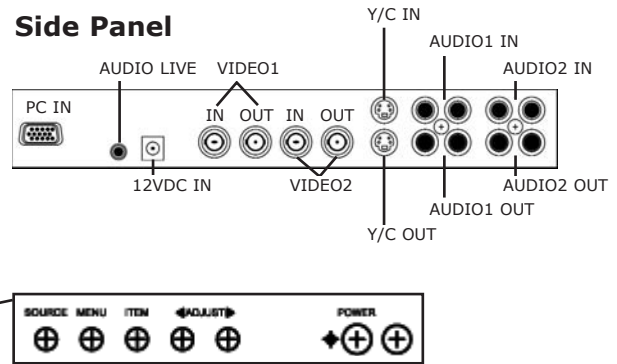


Monitor Features

- NTSC/PAL Auto Selectable
- 3D Comb Filter (NTSC Only)
- IR Remote Control Enabled
- Inputs/Outputs: 2 BNC Composite Video, S-Video, 2CH Audio (RCA) & PC IN
- Auto Termination (75 Ohms)
- VESA Standard Bracket & Desktop Mount
- Easy OSD Menu User Interface
- Anti-Glare Panel



Side Panel



Technical Specifications

Electrical

45M20DX	
Operating System	NTSC / PAL / VGA / SVGA
Picture Size	20" diagonal
Resolution (H x V)	800 x 600 pixels
Dot Pitch (W x H)	0.51mm x 0.51mm
Brightness	450 cd/m ²
Contrast Ratio	500:1
Response Time	16ms
Backlight	CCFL
Input Signal	Video: 2 CH 1Vp-p composite video at 75 Ohms S-Video: Y=1.0Vp-p w/neg. sync C=0.285Vp-p PC: Analog RGB
Video Angle	Left 70°, Right 70°, Up 80°, Down 80°
Lamp Life-time	50,000 hrs
Power Source	12VDC/ 90~260V AC 60Hz/ 50Hz adapter
Power Consumption	42W (max)/ 3.5A

Environmental

Ambient Operating Temperature	-10° C ~ 50° C (14°F ~ 122°F)
Operating Humidity	20% - 80% R.H.

Mechanical

Dimensions W x H x D	19.31" x 15.29" x 3.14" 490.5mm x 388.5mm x 80mm
Weight	7 kg (15.43 lbs)
Accessories Included	Power supply, power cord, 15 pin D-sub, audio cable Bracket: VESA 100 standard
Connectors	Video: 2CH BNC input/output Audio: 2CH RCA R. L. input/output PC: 15-pin D-sub connector S-Video: 4-pin min-din
Safety Standards	FCC, CE, UL

