

# VIDEOLOGY®

IMAGING SOLUTIONS INC.  
Original Equipment Manufacturer

## USB, Megapixel Color Autofocus Zoom box Camera

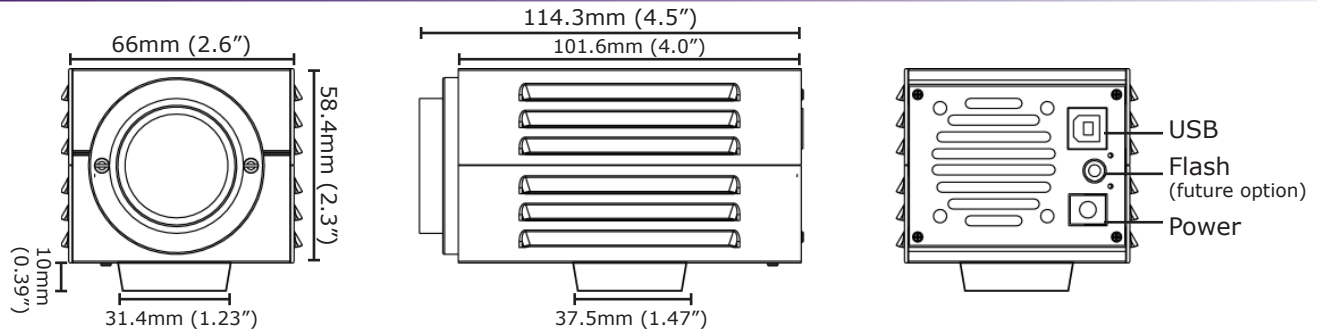
24Z704USB

### Product Features

- 2 megapixel progressive scan sensor
- WDM, TWAIN, DirectX compatible
- Still image capture with streaming video
- Auto focus, 10x optical zoom
- Software Development Kit available
- **FIPS 201 compliant with Aware PreFace software**

### Product Applications

- Secure ID
- Visitor Management
- Enrollment
- Border Patrol
- Passports
- Driver's Licenses



### Technical Specifications

Electrical	24Z704USB
Image Sensor	1/3" CMOS progressive scan
Viewer Display	1280 x 1024
Total Pixels (HxV)	1600 x 1200
Pixel Size	3.0µm x 3.0µm
Scanning System	Progressive Scan
Scanning Frequency (HxV)	19.5KHz x 15Hz
Resolution	800 TVL
Sensitivity	1 lux (30 IRE)
Frame Rate	USB 2.0 @ 8 fps (max)
Display Resolution	1280 x 1024
Still Capture	1280 x 1024 pixels
Signal To Noise Ratio	≤ 40dB (max)
Synchronization	Internal
Scan Mode	Progressive scan
Flickerless Mode	Yes (always on, NTSC/PAL configurable)
Contour Enhancement	Yes (text mode or image mode)
Mirror Mode	Yes (horizontal/vertical)
Positive/Negative Mode	Yes
Video Output	USB 2.0
Control Communication	USB bus
Shutter Speed	1/20 - 1/1000 sec.
White Balance	Auto/manual
Brightness	Manual
Iris	Auto/manual
Power Supply	12VDC (10 - 14VDC)
Power Consumption	1 Amp Max
Special Functions	Freeze, H/V reverse, save & recall images

### USB Video

Video Capture	Yes (via software)
High Resolution Still Image Capture	Yes (via software)
Supported Image Formats	Uncompressed YUV422
USB Bandwidth	USB 2.0

### Environmental

Operating Temp.	-10°C ~ 50°C (recommended 5° C ~ 40° C)
-----------------	---

### Mechanical

Dimensions (WxHxD)	66mm x 58.4mm x 114.3mm (2.6" x 2.3" x 4.5")
Weight	417g (0.92 lbs)

### Software

Viewer (included) SFT-10002	<ul style="list-style-type: none"> <li>• WDM device drivers</li> <li>• DirectX/DirectShow compliant</li> <li>• TWAIN compliant (requires driver installation)</li> </ul>
SDK (optional)	Complete software development kit and support for OEMs

### Recommended System Requirements

Hardware	Pentium IV	2.3GHz +, 1GB hard drive, Intel USB 2.0 Host controller
Software	Windows 7	32 bit and 64 bit
	Windows Vista	32 bit and 64 bit
	Windows XP	Service pack 2 +, DirectX 9.0c or above

### Accessories

Included	70V0423-B	1/4" - 20 mounting block
Optional	60C1012	10' USB 2.0 cable
	60PR12DC5.0A-AFZ	12VDC power supply (3A)
	60C0021	USA plug
Optional with P model	60C1118	Euro plug

### Complementary Models

24Z704USB-P	PAL version (50 Hz)
24Z704USB-KIT	Camera with optional accessories above
24Z704USB-KIT-P	PAL version camera with optional accessories above

### Government Compliance

FIPS 201
In conjunction with appropriate software

01/16/12 PDS-24Z704USB Rev F

All data subject to change without notice.

Videology® Imaging Solutions, Inc.

37M Lark Industrial Parkway  
Greenville, Rhode Island 02828 USA  
Tel: (401) 949 - 5332 Fax: (401) 949 - 5276  
North/South American Sales: sales@videologyinc.com  
www.videologyinc.com



Videology® Imaging Solutions, Europe B.V.

Neutronenlaan 4  
NL-5405NH Uden, Netherlands  
Tel: +31 (0) 413 256261 Fax: +31 (0) 413 251712  
European Sales: info@videology.nl  
www.videology.nl