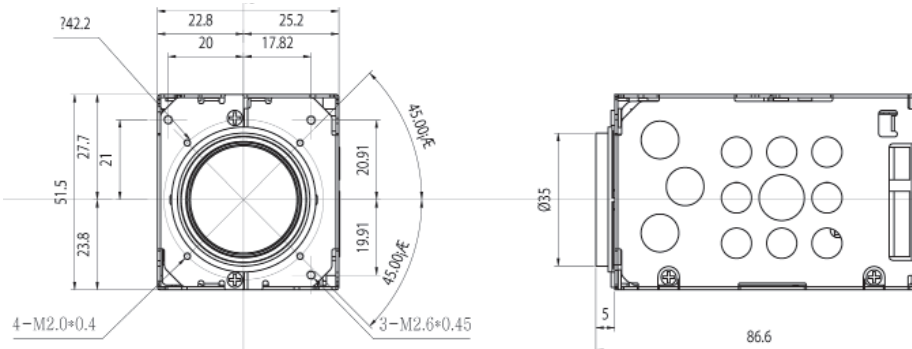


Product Features

- 1/4" SONY super HAD CCD
- Built-in auto focus/auto iris
- 27x optical power zoom lens
- 10x digital zoom (max. 270x)
- TDN (retractable IR cut filter) (optional)
- On-screen menu control (OSD)
- 9 backlight compensation (BLC) zones
- Video transmission distance adjustable (3 Step)
- RS-232C TTL Interface
- Digital slow shutter (DSS) (0.001 Lux for better nighttime sensitivity)



| Pin No. | Name |
|---------|-----------------|
| 1 | GND (for line) |
| 2 | LINE IN |
| 3 | GND (for video) |
| 4 | VIDEO OUT |
| 5 | GND (for power) |
| 6 | DC IN |
| 7 | GND (for data) |
| 8 | TD (RS-232C) |
| 9 | RD (RS-232C) |

Technical Specifications

| | 20Z404-27X NTSC | 21Z404-27X PAL |
|--------------------------|--|---------------------------------|
| Electrical | | |
| Image Sensor | 1/4" SONY super HAD CCD | |
| Total Pixels (HxV) | 811 x 508 410K | 795 x 596 470K |
| Active Pixels (HxV) | 768 x 494 380K | 752 x 582 440K |
| Horizontal Resolution | 480 TV lines | |
| Scanning System | 2:1 Interlace | |
| Scanning Frequency (HxV) | 15.734 kHz x 9.94 Hz | 15.625 kHz x 50 Hz |
| Sensitivity | Day Mode | Min. illumination 1 lux (30IRE) |
| | Night Mode | 0.5 lux (30IRE) |
| | DSS | 0.001 lux (128FLD, 30IRE) |
| Signal To Noise Ratio | > 48dB (AGC Off) | |
| AGC | Auto/manual (0~255) | |
| Synchronization | Internal/line lock | |
| Backlight Compensation | 9 BLC zones | |
| White Balance | Auto/push auto/outdoor/indoor/manual | |
| Electronic Shutter | Auto (8 steps)/flickerless | |
| | 1/60 ~ 1/10,000s 1/50 ~ 1/10,000s | |
| Flickerless Mode | On/off | |
| Digital Slow Shutter | 2FLD~128FLD/ off | |
| Focus Mode | Auto/ manual | |
| Mirror Mode | On/off | |
| Motion Detection | On/off (4 programmable zones per screen) | |
| Video Output | 1.0 Vp-p (75 Ohm, composite) | |
| Power Supply | 12VDC (9V~15V) | |
| Power Consumption | 4.56W (max) | |
| OSD Menu | On/off | |
| Control Communication | RS-232C | |
| Protocol | PelcoD | |

Environmental

| | |
|-----------------------|------------------------------|
| Operating Temperature | -5°C ~ 50°C (23°F ~ 122°F) |
| Operating Humidity | 20% ~ 60% RH |
| Storage Temperature | -40°C ~ 60°C (-40°F ~ 140°F) |
| Storage Humidity | 90% RH |

Mechanical

| | |
|----------------------|--|
| Dimensions W x H x D | 48mm x 51.5mm x 86.6mm (1.9" x 2.0" x 3.4") |
| Weight (Net) | 205g (0.45 lb) |
| Lens | 27x AF zoom video (F1.6 (W), F3.2 (T) f=3.6~97.2mm) |

Safety Standards

| | |
|--|---------|
| | FCC, CE |
|--|---------|