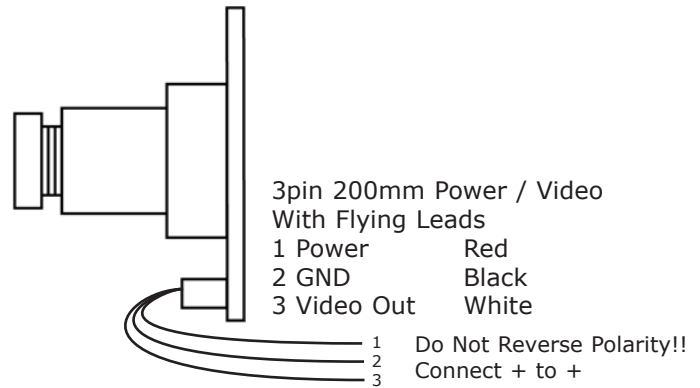
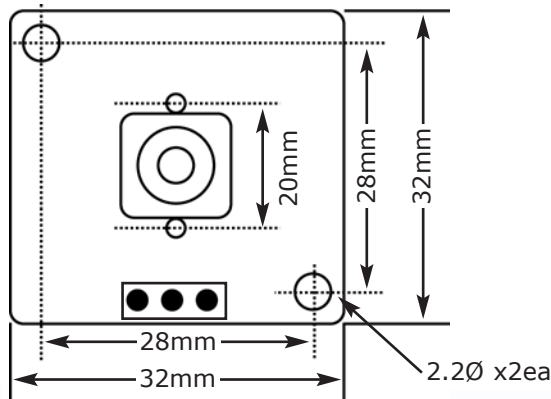
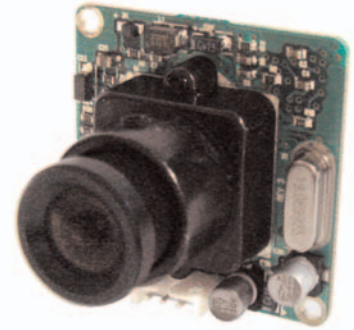


Camera Features

- Low Cost 1/3" B/W Board Camera
- Mirror Mode Option
- Fixed Gain Control Option
- M-12 Board Mount Lens
- Electronic Iris



Caution: Not Polarity Protected

Technical Specifications

Electrical

	20VC335 EIA	21VC335 CCIR
CCD Sensor	1/3" IT CCD	
Active Pixels (H x V)	512 x 492	500 x 582
Resolution	420 TVL	
Sensitivity	<0.3 lux	
Signal to Noise Ratio	≥ 49 dB	
Gamma	Fixed 0.45	
Gain	AGC On / Fixed (via hardware change)	
Synchronization	Internal	
Shutter Speed	1/60 – 100,000	1/50 – 100,000
Mirror Mode	Default Off / On (via hardware change)	
Iris	Electronic On / Off (via hardware change)	
Video Output	1Vp-p (75 ohm)	
Power Supply	12VDC (9V-16V) (not polarity protected)	
Power Consumption	<1.2W (max 115mA)	

Environmental

Ambient Operating Temperature	-10° C ~ 50° C (14° F ~ 122° F)
Storage Temperature	-15° C ~ 65° C (5° F ~ 149° F)
Operating Humidity	95% RH

Mechanical

Dimensions (WxHxD)	32mm x 32mm x 26mm (1.25" x 1.25" x 1.02")
Weight	30g w/ lens (1.05 oz)
Lens Mount	M-12 board
Cable	3pin 200mm power / video with flying leads