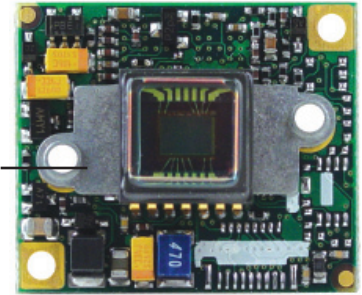


Product Features

- Ultra small mini-board 22mm x 26mm
- Delivers 8-Bit DIGITAL YUV & composite video output
- Software controllable features & functions
- Mirror mode option
- Lens mounts: metal CS, M12 board or pinhole



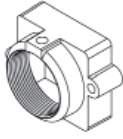
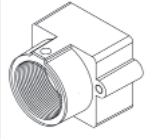

Metal CCD underplate

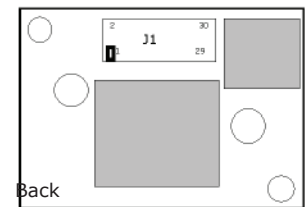
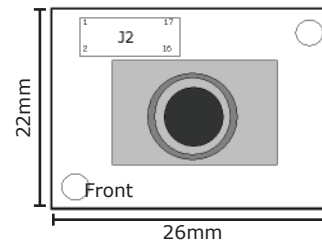
Front without lens mount

Technical Specifications

Electrical	20K15XDIG	21K15XDIG
	NTSC	PAL
Image Sensor	1/4" IL CCD	
Active Pixels (HxV)	768 x 494	752 x 582
Resolution	>460 TVL	
Sensitivity	< 1.0 Lux	
Signal to Noise Ratio	> 52 dB analog output 48 dB (AGC off) digital output	
Gamma	0.45 default (1.0 via Software)	
Gain Control	Automatic 36 dB (AGC default) or Fixed options via software	
Scan Mode	Interlaced/non interlaced (selectable via software)	
Mirror Mode	Selectable via software	
Synchronization	Internal	
Back Light Compensation	Default on (selectable via software)	
White Balance Mode	AWB auto white mode, Fixed modes selectable via software	
Contour Enhancement	Default on	
Iris Control	CCD Iris default	
Shutter speeds	Automatic from 1/60 to 1/100,000	Automatic from 1/50 to 1/100,000
Outputs	14 fixed speeds via software	
	8-bit digital YUV 4:2:2 @ CCIR656, CMOS output, 3.3V level	
	16-bit digital output CCIR601, CMOS Output, 3.3V Level	
<i>Refer to application note APN-2XK1XXDIG</i>	Video: Composite 1Vp-p CVBS (75 ohms)	
Control communication	I ² C control	
Power supply	5VDC + 5% (not polarity protected)	
Power consumption	< 0.8W	

Mechanical

Dimensions W x H x D	26mm x 22mm x 12mm without lens (1" x 0.87" x 0.47")		
Weight			
Lens Mounts	Replace "X" in model number with desired lens: Example: Change 20K13XDIG to 20K135DIG to select an M-12 board mount.		
	2 = Metal M-12 Pinhole	5 = Metal M-12 Board	8 = Metal CS Board
			
Connectors	Power/ video/ digital YUV all in 30 pole board to board connector (J1)		



Environmental

Operating Temperature	-15°C ~ 55°C (5°F ~ 131°F)
Operating Humidity	20 up to 93%RH
Storage Temperature	-25°C ~ 70°C (-13°F ~ 158°F)
Storage Humidity	Up to 98%RH
Lifetime	MTBF > 150000 hrs
Packaging	ESD safe package

Call Videology for Communication Control Options

Complementary Models

20K14X	Standard resolution, CVBS
20K14XCB	Blanking pulse access
20K14XYC	S-Video Y/C
20K14XDIG	YUV 8-bit digital output
20K14XUSB	USB 2.0 dual board
20K14XDN	Day/night
* 20K14XV	12VDC dual board
* 20K14XVDN	12VDC, day/night dual board
20K15X	High resolution, CVBS
20K15XYC	High resolution, S-Video Y/C
20K15XDIG	High resolution, YUV 8-bit digital output
20K15XUSB	High resolution, USB 2.0 dual board
20K15XDN	High resolution, day/night
20K15XV	High resolution, 12VDC dual board
20K13X	High resolution, B&W Sony Ex-view®, CVBS
20K13XUSB	High resolution, B&W Sony Ex-view®, USB 2.0 dual board

X = lens mount option (refer to Mechanical)

* Audio option: Equipment with audio recording capabilities is intended to be used only for legal and proper purposes. The customer assumes all liability related to legal and proper use per VIS waiver FOR-03-032.