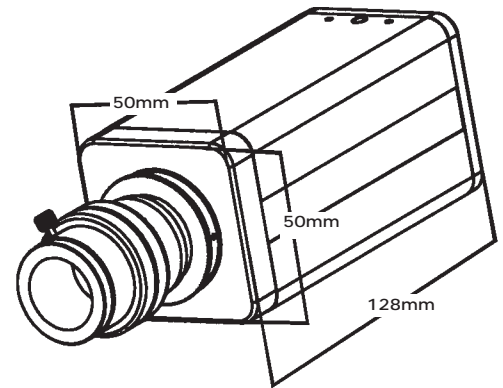
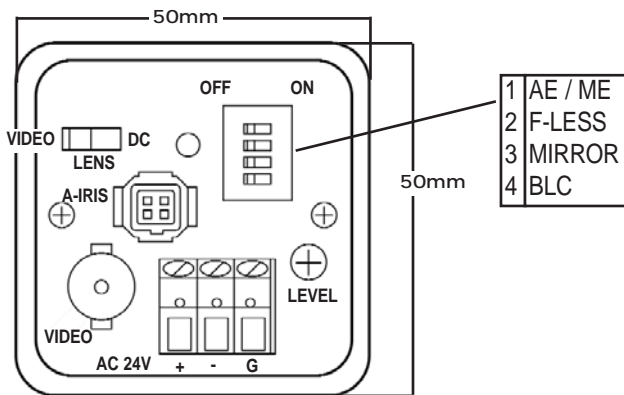




Camera Features

- 1/3" Color CCD
- 24VAC
- Compact Rugged Metal Design
- Auto Iris (Video Drive or Direct Drive)
- Mirror Mode On/Off



Technical Specifications

Electrical

	20E729 NTSC	21E729 PAL
CCD Sensor	1/3" Interline Transfer	
Active pixels (HxV)	537 x 505	537 x 597
Horizontal Resolution	330 (TVL)	
Sensitivity	1.1 lux (F1.2, 30 IRE)	
Signal to noise ratio	> 46 dB	
Gamma	0.45	
Gain	AGC max	
Synchronization	Internal	
Back light compensation	Selectable on/off (via dip switch)	
White balance	Automatic	
Shutter speed	1/60 ~ 1/100,000	1/50 ~ 1/100,000
Mirror mode	Selectable on/off (via dip switch)	
Iris signal	Electronic	
Iris controls	Auto iris (video drive, DC drive) Electronic iris (via dip switches) DC iris level control	
Video output	1Vp-p 75 Ohms composite	
Power Supply	24VAC 3-pin terminal	
Power Consumption	< 2.4W	
Power indicator	LED (rear)	

Environmental

Ambient operating temp.	-10° C ~ 55° C
Storage temperature	-20° C ~ 70° C

Mechanical

Dimensions WxHxD	50mm x 50mm x 128mm
Weight	370g
Lens mount	C Mount with adapter ring CS Mount
Approbations	FCC class A, CE

Accessories

Included	Back focus allen key C Mount adapter ring 1 mounting plate
Optional	60P24VAC 24VAC power supply

06/27/07 PDS-20E729 REV C

All data subject to change without notice.

Videology® Imaging Solutions, Inc.

37M Lark Industrial Parkway
Greenville, Rhode Island 02828 USA
Tel: (401) 949 - 5332 Fax: (401) 949 - 5276
North/South American Sales: Sales@videologyinc.com



Videology® Imaging Solutions, Europe B.V.

Neutronenlaan 4
NL-5405 NH Uden, Netherlands
Tel: +31 (0) 413 256261 Fax: +31 (0) 413 251712
European Sales: Info@videology.nl