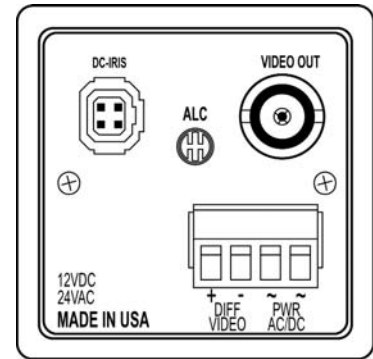
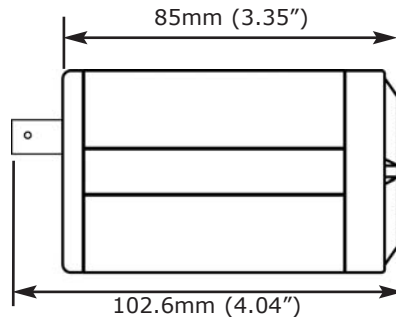
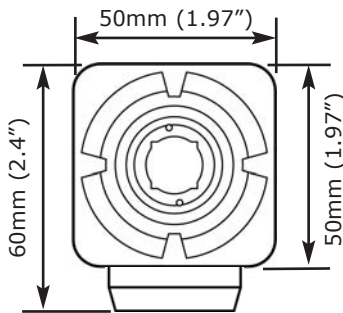




Video & Power Over Single CAT 5 Wire

- Up to 1000 ft
- No Balun Needed At Camera
- One Single Passive Balun Needed At Display Side

- **1/3" Interline CCD, >480 TVL**
- **Brilliant Color Performance**
- **12VDC/24VAC With Isolated Transformer**
(Brown Out Protected)
- **Direct Drive Auto Iris**
- **Rugged All Metal Housing**
- **Composite BNC For Lens Adjustment**



Technical Specifications

Electrical

	20D739B NTSC	21D739B PAL
Image Sensor	1/3" interline CCD	
Active Pixels (HxV)	768 x 492	752 x 585
Resolution	>480 TVL	
Sensitivity	0.5 lux at 30 IRE (AGC max)	
Signal To Noise Ratio	>48 dB	
Gamma	0.45	
Gain	Automatic	
Synchronization	Internal	
Back Light Compensation	Default on	
Contour Enhancement	Default on	
White Balance	Auto 2300 - 7500K	
Iris Signal	Electronic (default) or direct drive w/ iris (auto detect)	
Iris Controls	ALC pot for direct drive iris	
Video Output	Balanced video @ 100 Ohms Composite video (BNC for short range FOV setup)	
Power Supply	12 - 28VAC 50/60Hz 10.8 - 39VDC polarity independent	
Power Consumption	< 3W	

Environmental

Operating Temperature	-15° C ~ 55° C (05° F ~ 131° F)
Storage Temperature	-25° C ~ 70° C (-13° F ~ 158° F)

Mechanical

Dimensions WxHxD	50mm x 50mm x 85mm (1.97" x 1.97" x 3.35")
With Connectors And Mount	50mm x 60mm x 102.6mm (1.97" x 2.4" x 4.04")
Weight	217.5g (0.48 lbs)
Lens Mounts	C, CS

Accessories

Included	Metal mounting plate for top/bottom mounting. Detachable power block for easy installation.
Optional	60P24VAC 24VAC power supply 60PR12DC800 12VDC power supply 60VZZ0030 C Mount w/ adapter ring TBD Balun

