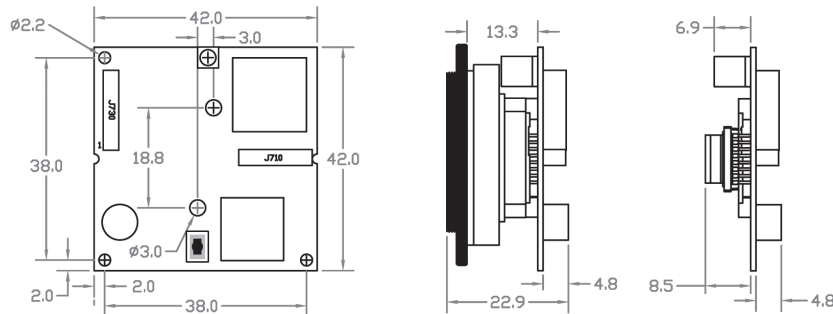
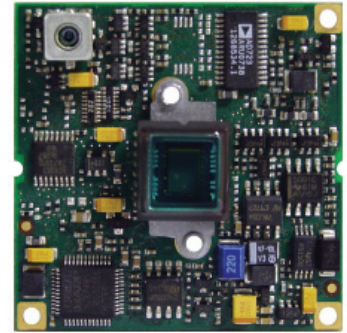


Product Features

- High resolution 470 TVL, <0.5 lux
- External synchronization - H&V lock
- Interlaced/non-interlaced scanning
- Iris signal output
- CS-mount or M-12 mount integrated lens



Technical Specifications

	20D476/479 NTSC	21D476/479 PAL
Electrical	1/3" IL CCD	
Image Sensor	1/3" IL CCD	
Active Pixels (H x V)	768 x 492	752 x 582
Horizontal Resolution	470 (TVL)	
Sensitivity	<0.5 Lux (50 IRE) F1.2, 32000 K, lens transmission 80%, scene reflection 75% > 48 dB (AGC off)	
Signal to Noise Ratio	> 48 dB (AGC off)	
Gamma	Default 0.45, 1.0 Selectable via software	
Gain	Automatic (26 dB default) Manual / Fixed via software	
Synchronization	Internal (X-tal coupled), H&V lock, line lock	
Back Light Compensation	Selectable via software	
White Balance	Automatic (default) 3 Fixed modes via software Push to set via hardware or software	
Shutter Speed	Automatic from 1/60 to 1/100,000	Automatic from 1/50 to 1/100,000
	8 Fixed speeds via hardware 11 Speeds via software	
Scan Mode	Interlaced / Non-interlaced 75Hz option, specific model, -see app note	
Flickerless Mode	1/100 sec 1/120 sec	
Contour Enhancement	Selectable Horizontal and vertical via software	
Mirror Mode	On/Off Selectable via software	
Iris	CCD Iris default, video iris DC Iris output via option board 60PB24VDL	
Video Output	Analog	1Vp-p video 75 ohms composite Optional: Y/C (SVHS), RGB
	Digital	YUV 8 bit
Power Supply	8~16VDC, 12VDC Nominal	
Power Consumption	<2.0W excluding: auto iris power consumption	

Environmental

Operating Temperature	15° C ~ 55° C (5° F ~ 131° F)
Storage Temperature	-25° C ~ 70° C (-13° F ~ 158° F)

Mechanical

Dimensions W x H x D	42mm x 42mm x 17mm (1.65" x 1.65" x 0.66")	
Weight		
Lens Mounts	20D476/21D476	Metal M-12 board lens mount with reference plate 12mm diameter, 0.5mm pitch
	20D479/21D479	Metal CS mount with reference plate
	60VZZ0030	Optional C mount with interface ring
Interfaces	Analog	13 Pole AMP
	Digital	24 Pole Flex foil connector
Power Supplies	60PR12DC500	12VDC
Cables (Included)	60C1011	13-pin with flying leads

I²C Communication Kit (Optional)

60D4	Software control I ² C program kit includes:
60D4-U (USB version)	I ² C board, Program cable, DB25 serial cable (or USB cable), Camera control software
	<i>Note: Must be ordered with I²C models</i>

Software

SFT-03001	Software control program available
-----------	------------------------------------