

VIDEOLOGY®

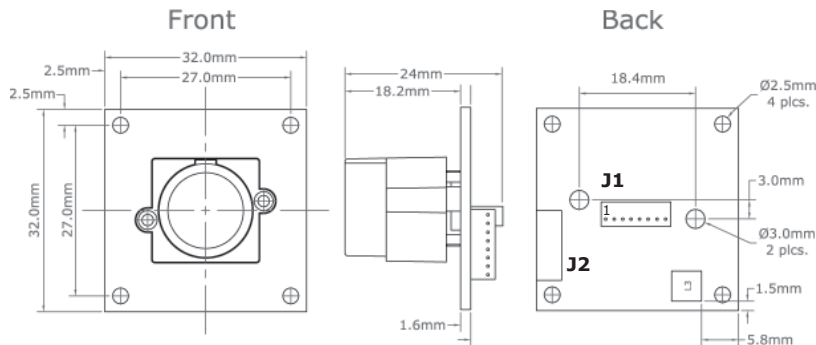
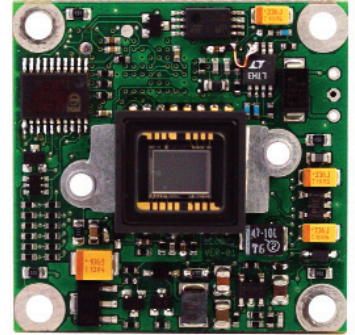
IMAGING SOLUTIONS INC.
Original Equipment Manufacturer

1/3" CCD B&W Board Camera With Balanced Video Output *Blue Sky Series*

20D35XB/21D35XB

Product Features

- 1/3" B&W Sony Ex-View CCD (570 TVL)
- Balanced video output for CAT5/CAT6 transmission
- 0.005 lux sensitivity
- Miniature 32mm x 32mm single board camera
- Aerospace B&W version available (20D35XO)
- Computer controllable via I²C (8-pin Connector version) (See OEM options below)



Warning: J1 and J2 connectors may not be used simultaneously

J1 Pin Out Configuration

- 1 +12VDC In
- 2 GND
- 3 Video Output
- 4 *GND
- 5 I2C Clock
- 6 I2C Data
- 7 GND
- 8 BLC Off

* Iris output is possible with optional configuration

OEM Options (Via 8-pin Connector)

- Gamma and gain control
- Scan mode for non-interlaced setting
- Mirror mode preset
- Backlight compensation can be turned off (Via connector interface)
- White balance has 3 fixed modes
- Shutter speed control
- I²C communication

Technical Specifications

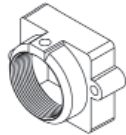
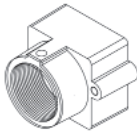

Electrical	20D35XB	21D35XB
	NTSC	PAL
Image Sensor	1/3" Sony Ex-View CCD	
Picture Elements	768 x 492	752 x 582
Resolution	570 TVL	
Sensitivity	< 0.005 Lux (50 IRE) f1.2, 3200°K	
Signal to Noise Ratio	>48 dB (AGC off)	
Gamma	0.45	
Gain Control	AGC 36dB	
Synchronization	Internal (crystal controlled)	
Scan Mode	Interlaced	
Backlight Compensation	Default on (off by grounding pin 8)	
Contour Enhancement	On	
Iris Controls	Electronic	
Video Output	Balanced Video Output @ 100 ohms Composite 1Vp-p CVBS option (20D35X)	
Power Supply	+12VDC (+10% / -20%)	
Power Consumption	< 1.0W	

Environmental

Operating Temperature	-15° C ~ 55° C (5° F ~ 131° F)
Operating Humidity	20 to 93% RH
Storage Temperature	-30° C ~ 80° C (-22° F ~ 176° F)
Storage Humidity	Up to 98% RH
Lifetime	MTBF >150000 hours
Packaging	Metallized, conductive bags

Warning: Avoid aiming the camera at the sun or other extremely bright lights. The CCD image sensor may be damaged if exposed to very bright objects.

Mechanical

Dimensions W x H x D	32mm x 32mm x 24mm w/ M-12 mount (1.26" x 1.26" x 0.94")		
Weight	8.9g (0.020 lbs)		
Lens Mounts	Replace "X" in model number with desired lens:		
Example: Change 20D35XB to 20D35BX to select an M-12 board mount.	2 = Metal M-12 Pinhole	5 = Metal M-12 Board	8 = Metal CS Board
			

Accessories

Included	60C1041	J1 or J2 cable 8 pin AMP unterminated
----------	---------	--

Optional Models (Minimum 100 Piece Lot Size Required)

20/21D35X	Composite 1Vp-p CVBS (75 ohms) output
20/21D35XO	Aerospace B&W

X = lens mount option (refer to Mechanical)
Please contact your Videology sales representative for details.

06/09/11 PDS-20D35XB Rev C

All data subject to change without notice.

Videology® Imaging Solutions, Inc.

37M Lark Industrial Parkway
Greenville, Rhode Island 02828 USA
Tel: (401) 949 - 5332 Fax: (401) 949 - 5276
North/South American Sales: sales@videologyinc.com
SGS www.videologyinc.com

Videology® Imaging Solutions, Europe B.V.

Neutronenlaan 4
NL-5405NH Uden, The Netherlands
Tel: +31 (0) 413 256261 Fax: +31 (0) 413 251712
European Sales: info@videology.nl
www.videology.nl