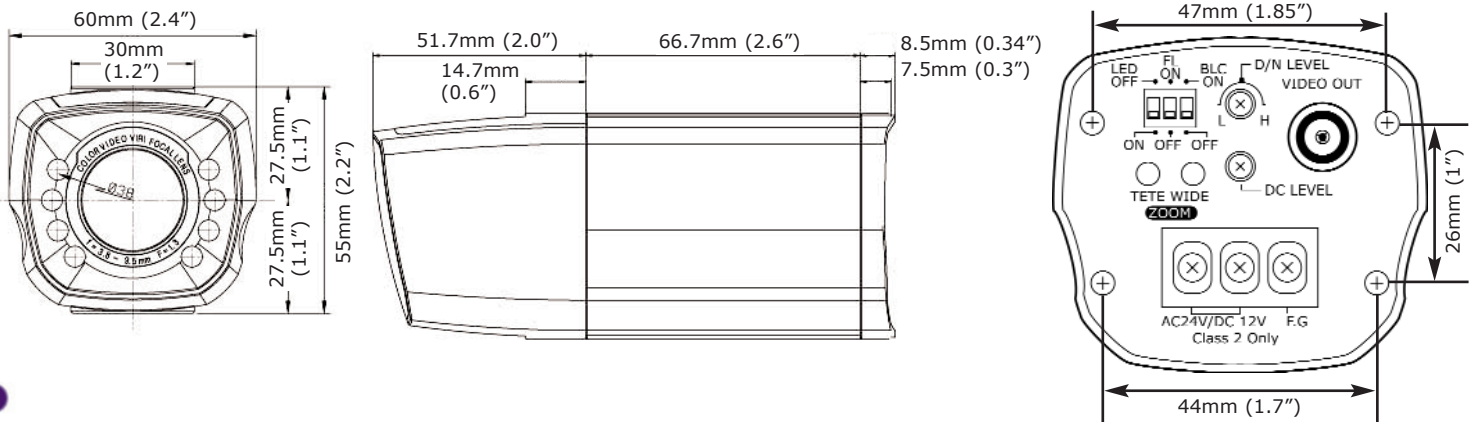




Camera Features

- True Day/Night Gen II With IR Filter Retraction On CCD Maximizes Sensitivity In B&W Night Scenes
- 1/3" Sony Super HAD CCD, 480 TV Lines
- Built-in Varifocal Lens (3.8 - 9.5mm)
- 8 IR LEDs And CDS Sensor
- 3x Digital Zoom

3x Zoom Varifocal



Technical Specifications

Electrical

	20C739IR NTSC	21C739IR PAL
Image Sensor	1/3" Sony super HAD CCD	
Active Pixels (HxV)	768 x 492	752 x 585
Resolution	480 TVL	
Scanning System	2:1 interlace	
Scanning Frequency (HxV)	15.734KHz x 59.94Hz	15.625KHz x 50Hz
Signal System	525 lines	625 lines
Sensitivity	Day 0.1 lux (color) Night 0.0001 lux IR LED at 30ft range (B&W)	
Signal To Noise Ratio	> 48dB (AGC off)	
IR LED & CDS Sensor	IR LED 850nm (8 EA) CDS sensor (1 EA)	
Gain	On/off	
Synchronization	Internal	
Back Light Compensation	On/off	
White Balance	Automatic	
Shutter Speed	1/60 - 1/10,000	1/50 - 1/10,000
Flickerless Mode	On/off	
Day/Night	Automatic (ICR)	
Iris	DC Auto	
Video Output	1Vp-p composite, 75 ohms	
Power Supply	9VDC - 15VDC (±0.5VDC)	

Environmental

Operating Temperature	-10° C ~ 55° C (14° F ~ 131° F)
Storage Temperature	-20° C ~ 60° C (-10° F ~ 140° F)

Mechanical

Dimensions WxHxD	60.0mm x 55.0mm x 126.9mm (2.4" x 2.2" x 5")
Weight	420g (0.93 lbs)
Lens (built-in)	3.8mm - 9.5mm varifocal auto iris lens
Zoom	Digital to 3x

Approbations

CE, UL

06/27/07 PDS-20C739IR Rev C

All data subject to change without notice.

Videology® Imaging Solutions, Inc.



37M Lark Industrial Parkway
Greenville, Rhode Island 02828 USA
Tel: (401) 949 - 5332 Fax: (401) 949 - 5276
North/South American Sales: Sales@videologyinc.com

Videology® Imaging Solutions, Europe B.V.

Neutronenlaan 4
NL-5405 NH Uden, Netherlands
Tel: +31 (0) 413 256261 Fax: +31 (0) 413 251712
European Sales: Info@videology.nl