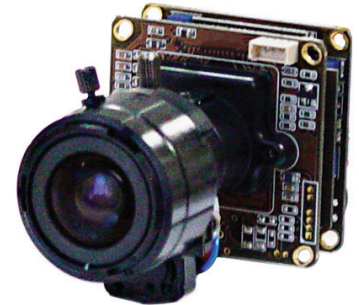
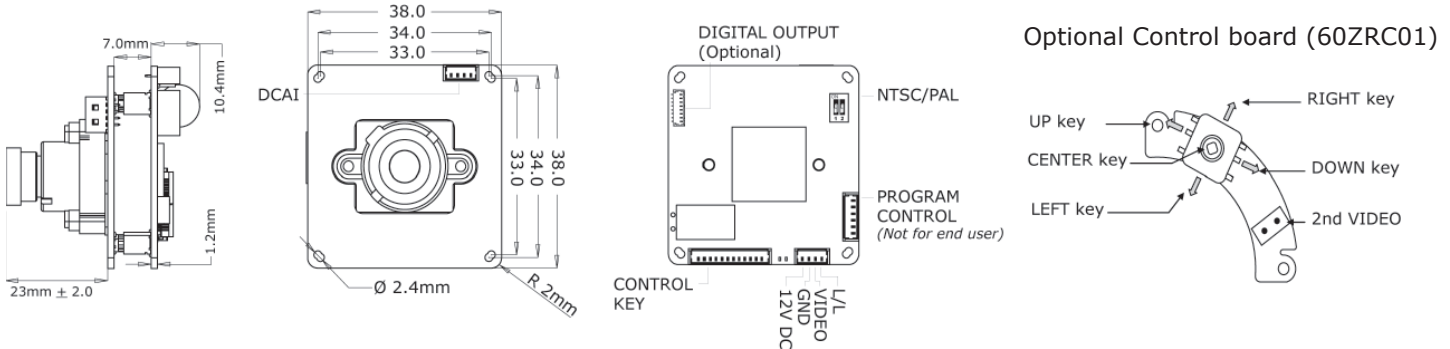


### Product Features

- True day/night with IR filter retraction
- Sensitivity of 0.08 lux with digital slow shutter (DSS)
- Superior wide dynamic range (120dB)
- Digital Pixel System
- NTSC/PAL selectable
- OSD joystick (optional)
- Optional digital BT656 output or Y/C output
- Auto white balance



Shown with optional lens



### Technical Specifications

<b>Electrical</b>	20B40XT
Image Sensor	1/3" CMOS
Total Pixels (H x V)	742 x 552
Horizontal Resolution	480 Horizontal TVL (color) 520 Horizontal TV Lines (B&W)
Scanning System	525 lines interlaced (NTSC) 625 lines interlaced (PAL)
Synchronization	Internal/External
Video Output	1.0Vp-p/75 ohm composite Optional digital output or Y/C
Iris Control	Electronic or DC iris
Sensitivity	Color 0.002 lux @ f1.2 50 IRE (DSS on) 0.08 lux @ f1.2 50 IRE B/W 0.3 lux @ f1.2 50 IRE (DSS on) 0.08 lux @ f1.2 50 IRE
S/N Ratio	> 48dB or more
Dynamic Range	120dB (max), 102dB (typical)
Shutter Speed	1/60 - 1/100,000 (NTSC) 1/50 - 1/100,000 (PAL)
AGC Control	On/off (0 - 34dB)
OSD Control Board (Option)	4-directional switch with a center Push TACTILE switch
Supplied Voltage	DC 12V (8V - 18V)
Power Consumption	Max 2.7W

### Environmental

Operating Temperature	-10° C ~ 50° C (14° F ~ 122° F)
Storage Temperature	-20° C ~ 70° C (-4° F ~ 158° F)
Operating Humidity	Under 90% non-condensing
Storage Humidity	Under 95% non-condensing

### Mechanical

Dimensions W x H x D	38mm x 38mm x 18.4mm (without lens) (1.49" x 1.49" x 0.72")		
Weight	34g (1.3 oz) with control board and lens		
Lens Mounts	Replace "X" in model number with desired lens mount option:		
Example: Change 20B40xT to 20B405T to select an M-12 Board Mount.	5 = Metal M-12 Board	6 = Metal M-14 Board	8 = Metal CS Board

### Complementary Models

20B40W-F	TotalFocus™ lens & RS485 control board	
<b>Accessories</b>		
Included	60C0104	Wiring cable, 14 pin moles with flying leads
Optional	60C1122	Wiring cable harness for CS DCAI lenses
	60ZRC01	OSD control board