

VIDEOLOGY®

IMAGING SOLUTIONS INC.
Original Equipment Manufacturer

1/3" CMOS Color Board Camera With Wide Dynamic Range

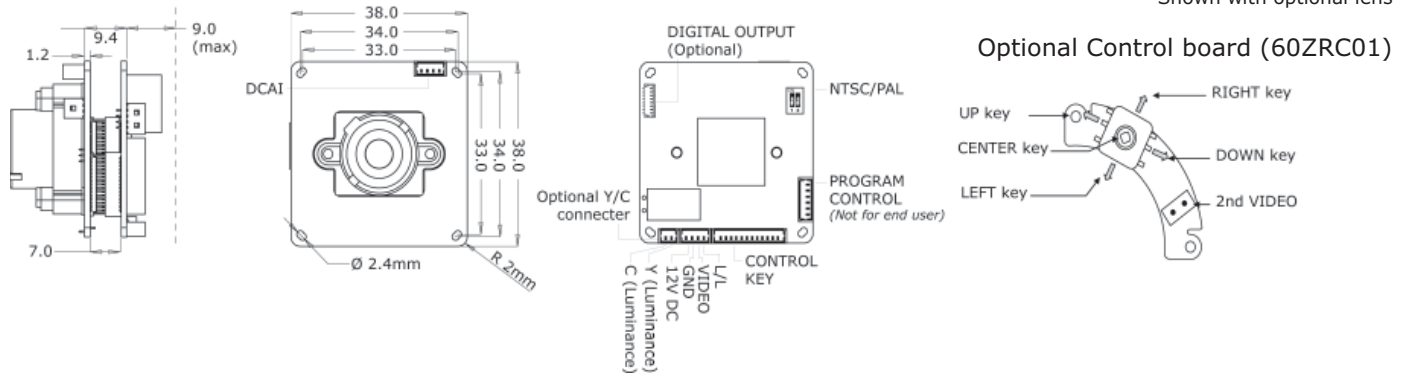
20B40X

Product Features

- Sensitivity of 0.08 lux with digital slow shutter
- Superior wide dynamic range (120dB)
- Digital Pixel System
- NTSC/PAL selectable
- OSD joystick (optional)
- Optional digital BT656 output or Y/C output
- Auto white balance



Shown with optional lens



Technical Specifications

| Electrical | 20B40X |
|----------------------------|--|
| Image Sensor | 1/3" CMOS |
| Total Pixels (H x V) | 742 x 552 |
| Horizontal Resolution | 480 TVL |
| Scanning System | 525 lines interlaced (NTSC) 625 lines interlaced (PAL) |
| Synchronization | Internal/External |
| Video Output | 1.0Vp-p/75 ohm composite Optional digital output or Y/C |
| Iris Control | Electronic or DC iris |
| White Balance Control | ATW, AWB, manual |
| Sensitivity | 0.08 lux @ f1.2 50 IRE (DSS on) 0.6 lux @ f1.2 50 IRE (DSS off) |
| S/N Ratio | > 48dB or more |
| Dynamic Range | 120dB (max), 102dB (typical) |
| Shutter Speed | 1/60 - 1/100,000 (NTSC) 1/50 - 1/100,000 (PAL) |
| AGC Control | On/off (0 - 34dB) |
| OSD Control Board (Option) | 4-directional switch with a center Push TACTILE switch |
| Supplied Voltage | 12VDC (8V - 18V) |
| Power Consumption | Max 2.7W |
| Environmental | |
| Operating Temperature | -10°C ~ 50°C (14°F ~ 122°F) |
| Storage Temperature | -20°C ~ 70°C (-4°F ~ 158°F) |
| Operating Humidity | Under 90% non-condensing |
| Storage Humidity | Under 95% non-condensing |

Mechanical

| | | | |
|--|--|----------------------|--------------------|
| Dimensions W x H x D | 38mm x 38mm x 18.4mm (without lens) (1.49" x 1.49" x 0.72") | | |
| Weight | 34g (1.3 oz) with control board and lens | | |
| Lens Mounts | Replace "X" in model number with desired lens mount option: | | |
| Example: Change 20B40x to 20B405 to select an M-12 Board Mount. | 5 = Metal M-12 Board | 6 = Metal M-14 Board | 8 = Metal CS Board |
| | | | |

Complementary Models

| | |
|----------|--|
| 20B40XT | True day/night with WDR board camera |
| 20B40W-F | TotalFocus™ lens & RS485 control board |

Accessories

| | | |
|----------|---------|--|
| Included | 60C0104 | Wiring cable, 14 pin moles with flying leads |
| Optional | 60C1122 | Wiring cable harness for CS DCAI lenses |
| | 60ZRC01 | OSD control board |